



WI-FI SMART ROOM THERMOSTAT SET
Installation Guide and User Manual



TABLE OF CONTENTS

1.	FOREWORD	3
2.	HOW TO USE THE USER MANUAL?	4
3.	GENERAL RECOMMENDATIONS	4
4.	CLEANING THE DEVICE	4
5.	SAFETY RULES TO BE CONSIDERED.....	5
6.	GENERAL FEATURES	6
7.	INSTALLATION PROCEDURES (AUTHORIZED SERVICE)	7
7.1.	RECOWA WI-FI SMART ROOM THERMOSTAT SET	7
7.2.	DIMENSIONS OF ROOM THERMOSTAT UNIT	7
7.3.	DIMENSIONS AND FEATURES OF THE COMBI BOILER CONTROL UNIT	8
7.4.	INSTALLATION OF THE WI-FI SMART ROOM THERMOSTAT SET	9
7.4.1.	Installation of the Combi Boiler Control (Receiver-Modem) Unit	9
7.4.2.	Electrical Connections of Combi Boiler Control Unit	10
7.4.3.	Installation of the Room Thermostat Unit and Installing the Batteries	11
7.4.4.	Extending the Battery Life	12
7.4.5.	Tabletop Use of the Room Thermostat Unit	12
7.4.6.	Installation of Room Thermostat Unit on the Wall	13
7.5.	FEATURES OF THE ROOM THERMOSTAT UNIT	14
8.	COMMISSIONING AND OPERATING	14
8.1.	TIME INFORMATION	15
8.2.	SETTING ROOM TEMPERATURE ON THE ROOM THERMOSTAT.....	15
8.3.	DISPLAYING INDICATORS OF FAILURE AND (WRENCH) SYMBOL ON THE ROOM THERMOSTAT	16
8.4.	SETTING THE OPERATING MODES	17
8.5.	RESTORING FACTORY SETTINGS	18
8.6.	DISABLING COMBI BOILER CONTROL UNIT	19
9.	FEATURES OF THE MOBILE APPLICATION AND INSTALLATION TO THE SMARTPHONE	20
9.1.	FEATURES OF THE MOBILE APPLICATION	20
9.2.	INSTALLING RECOWA MOBILE APPLICATION TO THE SMARTPHONE.....	21
9.3.	MOBILE APPLICATION - MODE OPTIONS & DEFINITIONS	21
9.3.1.	Defining Users.....	21

1. FOREWORD

Dear Customer,

We congratulate you on choosing a Warmhaus product with the latest technology that you can use safely and will provide you comfort for a long time.

The modulating remote control unit of "Warmhaus WI-FI SMART ROOM THERMOSTAT SET" has been designed to provide ideal temperature conditions at any time at different time periods for each day of the week. There is wireless communication between the Thermostat Unit and the Combi Boiler Control Unit.

After the installation is completed, it is ready to work thanks to its pre-installed schedule. The pre-installed schedule can be changed based on user needs. With the help of the mobile phone application, it is easy to remotely control the Smart Thermostat, to constantly control all the setting values and to set a new schedule.

The following combi boiler operation parameters can be adjusted using Smart Thermostat Set:

- a) Central Heating (CH) temperature setting
- b) Domestic Hot Water (DHW) temperature setting
- c) Resetting Combi Boiler
- d) Operation Modes

and

- Weekly heating schedule: 8 different heating time zones can be set with a precision of 0.1 degree for each day of the week. (56 schedules in total)
- The boiler failure codes can be read.

The Recowa Wi-Fi Smart Room Thermostat has been designed to remotely control your combi boiler using a wireless connection. Recowa application, which you can install into your mobile device allows you to control your combi boiler via the internet network either when you are at home or outside. Also, Recowa allows you to communicate with your combi boiler and control it (by the regular communication between Combi Boiler Control Unit and Room Thermostat Unit using radio frequency) even when there is no internet connection at the place.

We would like to present some important indicators to ensure your satisfaction from the Warmhaus product:

> Thoroughly read the topics and device features written in this manual; you will get useful information on the proper use of the device.

> You can download the Installation and User Manual of the Smart Thermostat Set and Mobile Application User Manual from the related product page at www.warmhaus.com

> You can set a schedule and customize the room thermostat by following the instructions in the RecoWa application.

2. HOW TO USE THE USER MANUAL?

The user manual has 3 main sections:

- First section is for installation and authorized service; the installation of the Smart Thermostat Set and the steps of the connection between the Combi Boiler Control Unit with the combi boiler are described here.
- Second section describes all operating programs and commissioning steps.
- Third section is for the installation of the RecoWa mobile application into the smartphone and access to the Combi Boiler Control Unit via the Internet.

3. GENERAL RECOMMENDATIONS

- This manual is intended for both the authorized service and the user.
- Please read the instructions in this manual thoroughly. These instructions are intended to demonstrate the remote control, design considerations, specifications, connections, installation, scheduling, setting, and operating instructions of the Smart Thermostat.
- The system must comply with the applicable IEC (International Electrotechnical Commission) standards.
- The operating instructions should be considered as a part of the Smart Thermostat with remote control and should be kept for future reference.
- After unpacking the device, check whether the Smart Thermostat Set is complete. If you have any doubt how to use it, contact the authorized service.
- The Smart Thermostat Set, which can be remotely controlled by mobile phone, should be used in accordance with its purpose. Use for any other purpose is considered improper use and may be hazardous.
- Warmhaus products are manufactured in accordance with applicable safety standards, therefore, all these devices must be used in a way that will not harm people or objects.
- Do not remove parts of the Smart Thermostat Set during operation.
- Do not use the Smart Thermostat Set close to heat sources or exposed to the sun.

The manufacturer assumes no liability for the device in the following cases:

- a. Improper installation,
- b. If there is a fault in the combi boiler to which the Combi Boiler Control Unit is connected,
- c. Intervention or modification made to the device by unauthorized persons,
- d. A general or partial lack of compliance with the requirements in the manual.

4. CLEANING THE DEVICE

- Wipe the outer casing of the Smart Thermostat Set with a slightly damp cloth. Do not use abrasive or powder detergent.

5. SAFETY RULES TO BE CONSIDERED

1. Always read the user manual before using the device and its apparatus.
2. If the internal parts of the device and its apparatus are opened, disassembled or misused, the device will be out of warranty.
3. Please note that the sockets on which you have installed your device and apparatus are on the recommended voltage in the instruction manual.
4. Do not expose the cables of the device to any compression or pressure. Connect the power connections of the device to the plugs and sockets that can always be accessible.
5. Make sure that the electrical connections are made to earthed outlets to prevent damage to your device and apparatus during lightning and thunderstorms.
6. Keep the device apparatus away from all kinds of external factors that are harmful to the device such as liquid, dust, heat, moisture, etc. Damages and malfunctions arising from cases that do not follow the instructions in the user manual are not covered by the warranty.
7. This device must be installed according to the applicable norms..
8. This device is for indoor use only.
9. Before inserting the batteries, check that the contacts in the device and on the batteries are clean, is necessary clean them. Note the polarity (+/-) when inserting the batteries.
10. Do not throw the batteries into a fire, short-circuit them or dismantle them. Keep children away from batteries.
11. Seek medical attention immediately if a battery is swallowed.
12. Do not attempt to repair the device yourself; customer service is available. Any changes or modifications to this unit not expressly approved by the party responsible for compliance could void the user's authority to operate the equipment.
13. This device is not intended for use by persons (including children) with reduced physical, sensory or mental capabilities, or lack of experience and knowledge, unless they have been given supervision or instruction concerning use of the appliance by a person responsible for their safety.
14. Children should be supervised to ensure that they do not play with the appliance

WARNING: WARMHAUS Isıtma ve Soğutma Sistemleri San. Tic. A.Ş. reserves the right to make improvements to the device and to modify the details and accessories of the device without altering the essential features of the model described and shown in this manual.

6. GENERAL FEATURES

RecoWa



CUSTOMIZE THE TEMPERATURE

COMFORT WHENEVER YOU WISH;
ECONOMY WHENEVER YOU WISH

It is a Wi-Fi Smart Room Thermostat Set with internet access that allows you to set the desired temperature from anywhere, anytime using RecoWa mobile application.

Wi-Fi Smart Thermostat, which both listens to your commands and manages the combi boiler, offers the following conveniences:

- ▶ Temperature control for any room you desire
- ▶ Easily visible large display unit with backlight
- ▶ Very simple use with its just two buttons
- ▶ Signal strength and Battery level indicator
- ▶ Accurate Internet time



Remote Control

The Internet connection allows you to control your combi boiler and heating requirements from anywhere using RecoWa application on your mobile phone.



Energy Saving

You can set temperature values instantly which allows saving energy without wasting time.



Ease of Use

With its LCD display and indicator signs, it is a user-friendly device.

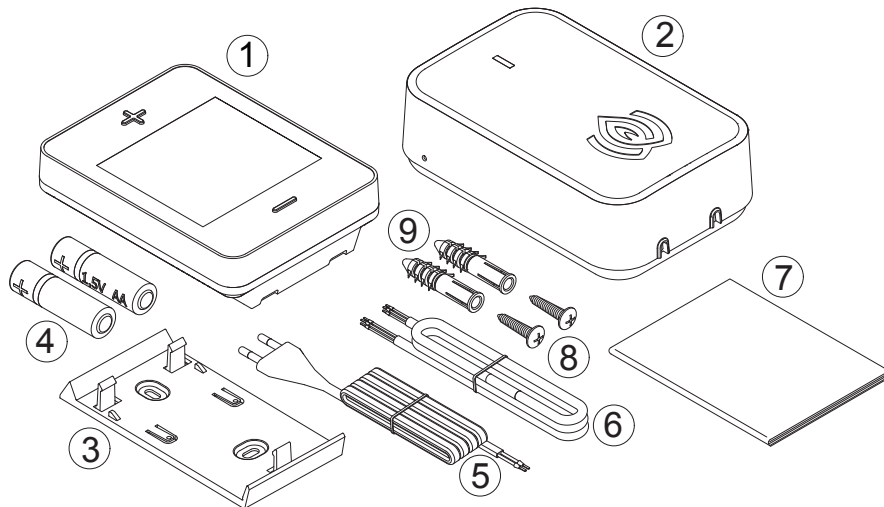


Comfortable Living

Thanks to its intelligent technology, it transforms both the temperature and life into comfort.

7. INSTALLATION PROCEDURES (AUTHORIZED SERVICE)

7.1. RECOWA WI-FI SMART ROOM THERMOSTAT SET



- 1- Room Thermostat Unit
- 2- Combi Boiler Control Unit
- 3- Wall Mounting Bracket
- 4- 2xAA Alkaline Battery
- 5- Power Supply Cable with Plug
- 6- Data Communication Cable (OT- ON/OFF)
- 7- Installation & User Manual
- 8- Screw
- 9- Fixing plug

Figure 1. Contents of RecoWa Wi-Fi Smart Room Thermostat Set Package

7.2. DIMENSIONS OF ROOM THERMOSTAT UNIT

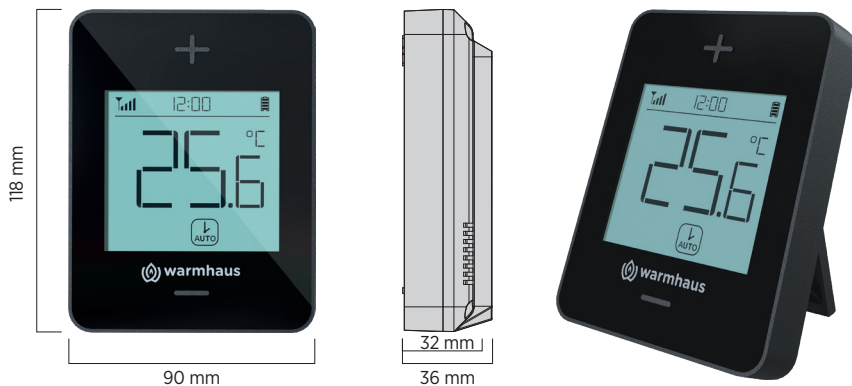


Figure 2. Dimensions of Thermostat Unit: 118 x 90 x 32 mm

7.3. DIMENSIONS AND FEATURES OF THE COMBI BOILER CONTROL UNIT

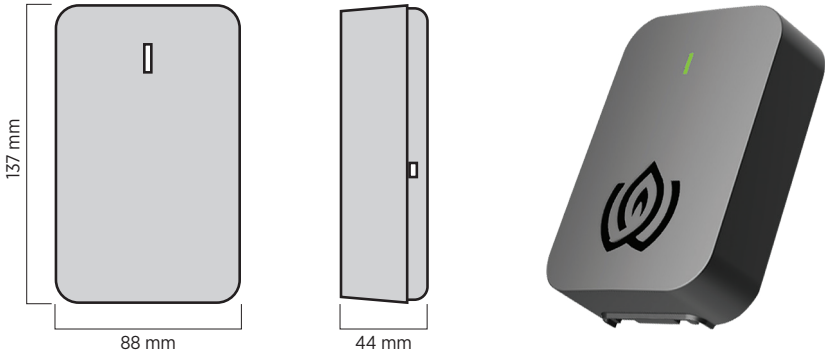


Figure 3. Dimensions of the Combi Control Unit: 137 x 88 x 44 mm

Combi Boiler Control Unit: It is the unit that operates the combi boiler using OpenTherm or relay contact, communicates with home units via RF and connects to the Wi-Fi network at home.

It has the following features:

- It operates using a 220 V AC supply.
- Thanks to the universal OpenTherm protocol, it operates with all Warmhaus combi boilers that conform to the standard protocol.
- Thanks to the relay contact, it works with all non-OpenTherm combi boilers.
- Through OT (OpenTherm) protocol, it continuously exchanges data with the combi boiler such as:
 - a) Flame information (the combi boiler is ON or OFF)
 - b) Actual room temperature
 - c) Domestic Hot Water (DHW) temperature setting,
 - d) Central Heating (CH) temperature setting,
 - e) Failure codes and details,
 - f) Failure Reset
 - g) Central Heating system pressure
 - h) Outside temperature (either from the

outside sensor, if installed, or from the Internet)

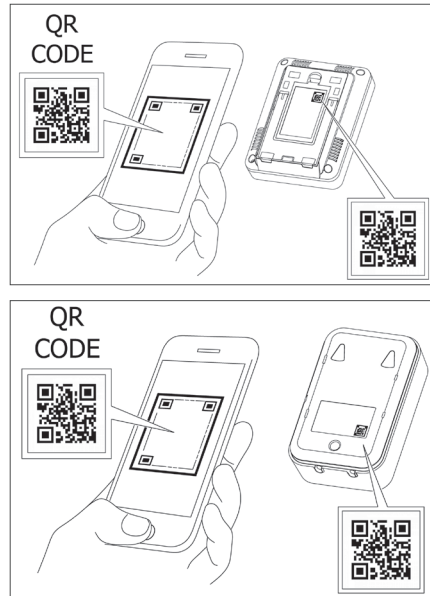


Figure 4. You can learn more about the device and its features using the QR code. You can scan the QR code on the back of the Room Thermostat Unit or Combi Boiler Control Unit using your phone with a smart operating system and a QR code reader application.

7.4. INSTALLATION OF THE WI-FI SMART ROOM THERMOSTAT SET

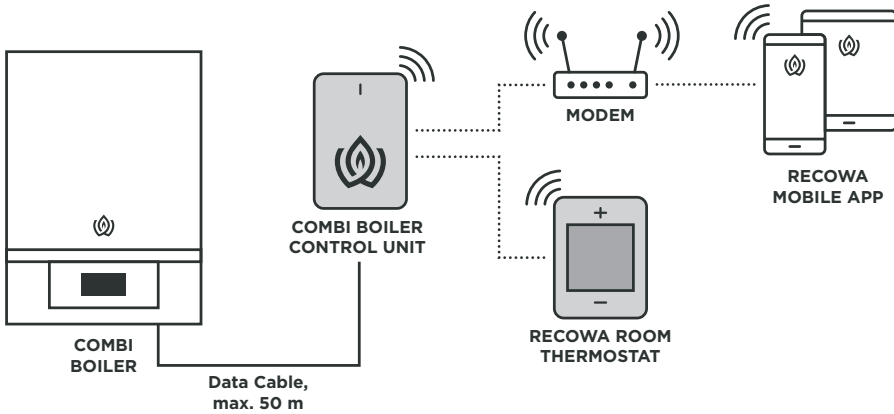


Figure 5. General Connection Schematics for RecoWa Wi-Fi Smart Room Thermostat Set



INSTALLATION AND ELECTRICAL CONNECTION OF THE WI-FI SMART ROOM THERMOSTAT SET MUST BE PERFORMED ONLY BY AN AUTHORIZED SERVICE!

7.4.1. Installation of the Combi Boiler Control (Receiver-Modem) Unit

The device may only be installed by an Authorized Warmhaus Service. The four-core cable required for connection to the combi boiler is included in the package.

First, turn off your combi boiler and the electrical power (fuse, plug, socket, etc.) to which your combi boiler is connected.

To access the connection points before connecting the Control Unit to the combi boiler, first, unscrew the single screw that fixes the front cover and the rear cover (on the rear side with the hanging holes) with a Phillips screwdriver.

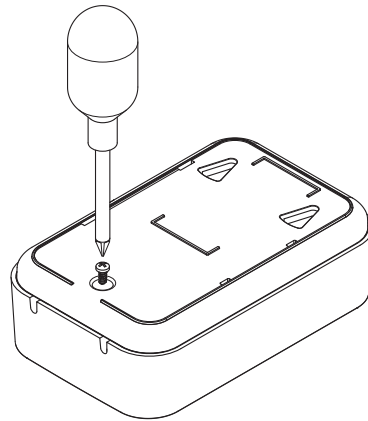


Figure 6. Unscrewing the screw of the combi boiler control unit cover

7.4.2. Electrical Connections of Combi Boiler Control Unit

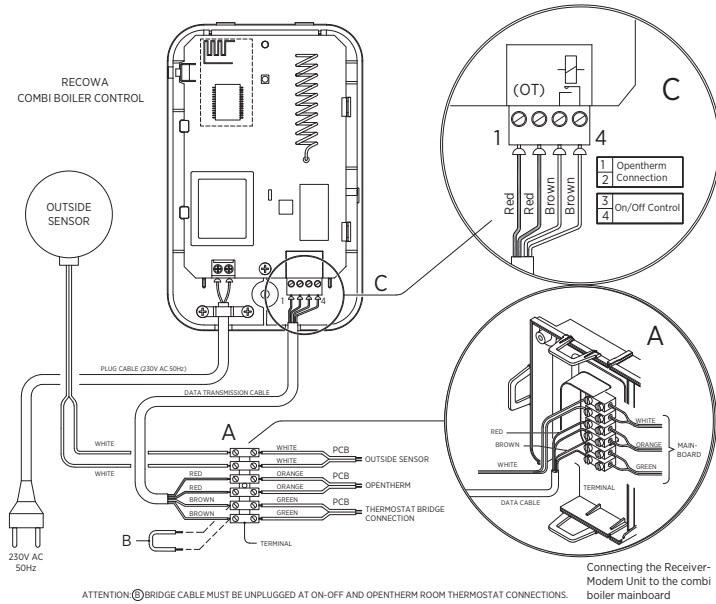


Figure 7. Connecting the Combi Boiler Control Unit to the Combi Electronic Board

After removing the back panel, connect the plug power cord supplied in the product package to the power connection terminal (230 V AC) on the lower-left side of the rear panel, however, do not plug the power plug into the socket until all connections have been completed!

Before connecting to the combi boiler, check 2 x Red OpenTherm communication cables in the 4 x 0.35 mm² cross-section four-core cable as shown in the connection schematics. Connect the OT on the bottom right of the RF Module to [1 -2] connectors, and other 2 x brown cables to the ON-OFF [3 - 4] connectors.

To complete OpenTherm connection with the Warmhaus combi boiler, connect ends of the red cables to the orange ends of the connector. Connect the other brown cable ends of the data cable to the green cable ends of the connector. Remove orange

connectors and bridge B on the combi boiler control panel.

WARNING: Make sure that the ON-OFF cable bridge in the combi boiler is removed!

After completing the connections;

- Close the boiler panel cover and mount the Remote Control unit connected to the boiler in a vertical position to ensure a distance of minimum 15 cm from the combi boiler. (Make sure that this plane does not have any materials such as iron sheets, etc. that will prevent RF communication!)
- When the plug of RF MODULE is plugged into the socket, the led lamp will light up,
- Switch on the combi boiler and supply power to the boiler.

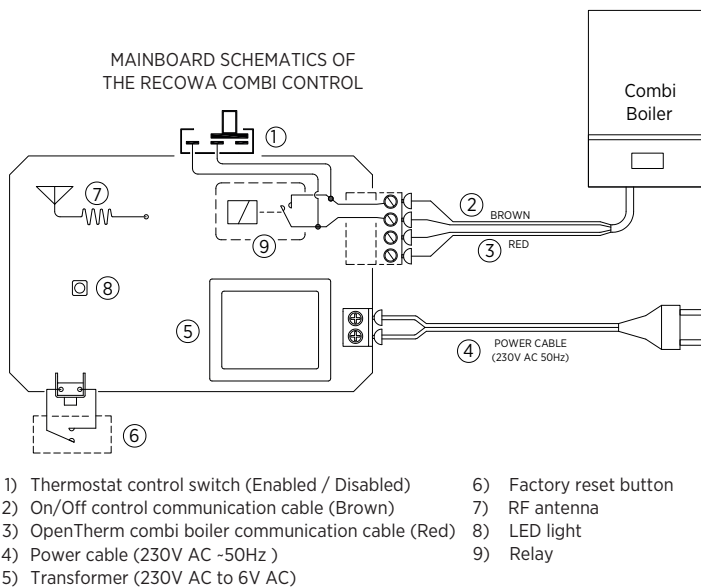


Figure 8. Combi Boiler Control Unit Main Board Connections




For the proper and efficient operation of the room thermostat, please use alkaline batteries. Never use rechargeable batteries. It has a special protection measure against the reverse installation of the batteries.

7.4.3. Installation of the Room Thermostat Unit and Installing the Batteries

Open the battery compartment cover on the back of the Room Thermostat Unit, insert two 1.5V AA Alkaline batteries into the battery compartment, paying attention to the + and - poles, and close the lid. When the batteries are inserted for the first time, the backlight turns on and all symbols appear for a short time. The ambient temperature will then appear on the display and it will automatically connect to the Combi Control Unit/RF MODULE.

When the Room Thermostat Unit is

connected to the RF MODULE, the signal symbol  will appear on the screen. The Room Thermostat Unit is now ready for use. You can adjust the room temperature using the + and - buttons on the unit.

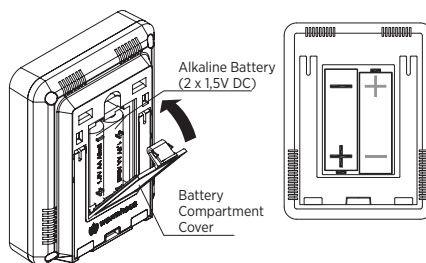


Figure 9. Installing Batteries into the Room Thermostat Unit

7.4.4. Extending the Battery Life

Battery life varies depending on operation mode. You can change the display backlight option to further extend battery life. To do this, press the (+) and (-) buttons on the thermostat 5 times at the same time to switch to the backlight setting menu (Light mode on the display); when you change the ON option that appears on the display (In the ON option, the display will illuminate for about 10 seconds depending on the usage) to OFF (just press the (-) button), the backlight will be turned off; thus, when the thermostat buttons are pressed, the backlight will not turn on, and the battery life will be extended.



In cases where the Room Thermostat cannot be used (when the Combi Boiler Control Unit is disconnected from power or when it will not be used for a long time), you need to remove the batteries of the unit to extend the battery life. In case they are not removed, the battery life will be shortened as the thermostat will continuously communicate with the Combi Control Unit.



It shall not be placed on the places that receive direct sunlight, that are near the radiators, heat-generating electronic devices, and near the doors and windows where there is a fast air flow. Do not use the room thermostat below the table level and 1.5 m above the floor so that it can detect the average room temperature correctly.



The distance of communication with the Combi Boiler Control Unit is approximately 50 meters in open area (in direct visibility between the devices without any obstructions). The specified distance may vary depending on the construction of the building, the wall, the type and thickness of the door material.

7.4.5. Tabletop Use of the Room Thermostat Unit

The Room Thermostat Unit can be used in a fixed place by mounting the mounting bracket on the wall or it can be used on the table without mounting it anywhere thanks to the opening leg located at the back of the unit. For tabletop use, open the leg at the back of the room thermostat panel with your finger. You can use the room thermostat unit in the living areas such as the hall, living room, and bedroom on flat surfaces away from heat sources.

7.4.6. Installation of Room Thermostat Unit on the Wall

Separate the Wall Mounting bracket from the Room Thermostat by gently pressing it from the top and pulling it in the opposite direction; make sure that the two screw holes on the mounting bracket are in a position to keep the Room Thermostat Unit parallel to the floor by using a spirit level and mark them using a pencil.

Drill holes for fixing plugs (\varnothing 6 mm) at the marked points; after installing the fixing plugs, mount the Wall Mounting bracket on the wall using the screws included in the package. Insert the Room Thermostat into the Wall Mount by matching the latches and pressing it gently (make sure that the support leg is fully closed).

The Room Thermostat Unit is now ready for use. You can adjust the room temperature using the + and - buttons on the unit.

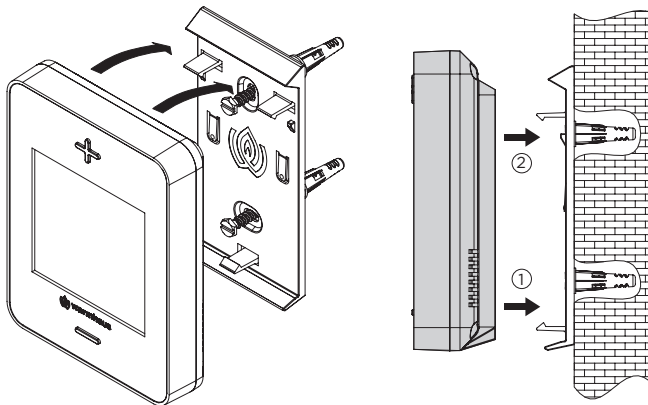


Figure 10. Removing the Wall Hanging bracket of the Room Thermostat Unit and Installing it on the Wall

The room thermostat must be installed at a distance of 1.25 to 1.5 m from the floor in order to detect the average room temperature accurately.

window where there is fast airflow in your living areas such as hall, living room, and bedroom.

It must be at least 30 cm away from the doors and windows that are open to airflow.

The device should be kept away from places such as heat-generating electronic devices, direct sunlight, radiators and it should not be placed near the door and

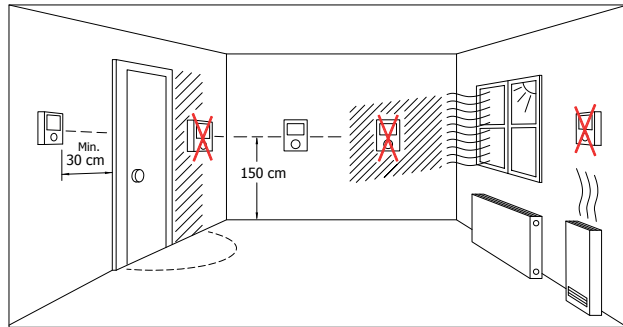


Figure 11 The Proper and Improper Places for Mounting the Room Thermostat

7.5. FEATURES OF THE ROOM THERMOSTAT UNIT

- Pressing the buttons enables the backlight and transmits all temperature changes (± 0.1 degrees) and setting changes to the Combi Boiler Control Unit.
- Displays the desired set temperature.
- It allows to set the desired temperature.
- Displays the combi boiler failure/error codes.
- Displays battery status and signal strength and transmits to the mobile application.
- The operating mode indicators are displayed as abbreviations in English.
- Thanks to special encryption and different frequency bands, devices in a house or devices in neighboring houses cannot interfere with each other's communication.

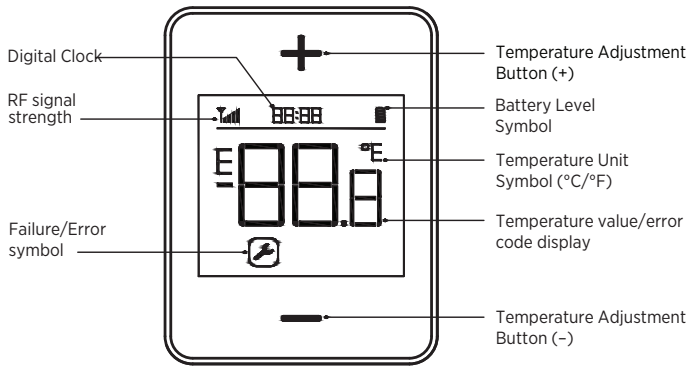


Figure 12. Room Thermostat Unit Display Symbols and Descriptions

8. COMMISSIONING AND OPERATING

The device transmits the room temperature measurements to the Combi Boiler Control Unit in an encrypted form using a special communication method. It performs the measurement at the beginning of every minute. If there is a change in the room temperature, it transmits it to the Combi Boiler Control Unit. If the user changes the target setting temperature, heating temperature, Domestic Hot Water (DHW) temperature, and operation mode it is immediately transmitted to the Combi Boiler Control Unit without waiting for the beginning of the minute.

Even if there is no change, it always communicates at the end of the preset time (1 min, 5 min, 10 min, 30 min). (This setting can only be changed by the authorized service. Selecting a shorter time interval may cause the battery to run out more quickly, but this will allow the changes made elsewhere (eg. a mobile phone) to be reflected faster on the room thermostat display.)

8.1. TIME INFORMATION

It is received from the internet via the Combi Boiler Control Unit and the room thermostat shows the accurate time even when the communication is interrupted for a long time unless the batteries are removed.

- 8.1.1.** If there is no internet connection during installation, the time cannot be set on the device and the timer starts as 00:01 on the device.
- 8.1.2.** When the Internet connection is provided, the device automatically updates the time via the internet.
- 8.1.3.** The time, which is updated via the Internet connection, continues to be displayed accurately thanks to the RTC (Real Time Clock) on the device, even if the Internet connection is lost later.

24-hour/AM-PM time format, °C/°F format, Control Unit communication interval can be changed by the service program.



In the event of a power failure the combi boiler will continue to operate if it is energized by a backup generator, otherwise, it will not operate. However, the automatic temperature schedule, etc. are not deleted in such a case, and when the power is provided, the combi boiler continues to operate according to your schedule in the Room Thermostat Unit.

8.2. SETTING ROOM TEMPERATURE ON THE ROOM THERMOSTAT

Each room thermostat has been matched with the Combi Boiler Control Unit as a preset.

1. First, make configuration settings of the control unit (see page 11, 4.3 Combi Boiler Control Unit Installation).
2. Install the batteries of the room thermostat considering the indicated (+) and (-) poles (2 AA type Alkaline batteries)
3. All display symbols are activated simultaneously (test).
4. Then the backlight is enabled (for a short time).

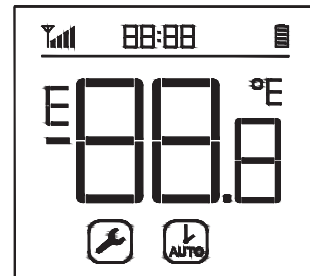


Figure 13. General Display Symbols on Room Thermostat Unit

5. Wait a few seconds without pressing the buttons, the device will communicate with the Combi Boiler Control Unit and set the indicators to the accurate values. (time, communication signal strength, battery status, ambient temperature, etc.)
6. You can display the target set temperature by pressing the up (+) or down (-) buttons on the Room Thermostat Unit only once.

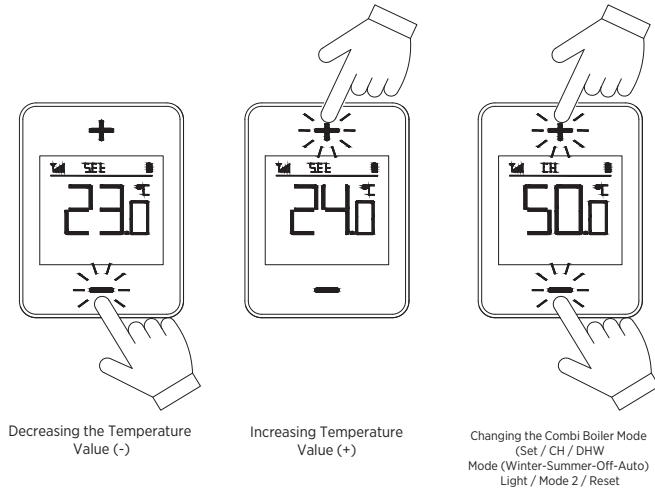


Figure 14. Setting the Temperature Value and Changing Modes via the Room Thermostat Unit

7. If you want to change the target temperature, you can change it using the (+) and (-) keys within 10 seconds; by pressing and holding one of the keys, it increases rapidly by an interval of 0.1 degree, then rapidly by an interval of 0.5 degree. After reaching the desired temperature (if you do not press the buttons), the set temperature is stored and it automatically returns to the main screen (after 10 seconds) to display the current room temperature.

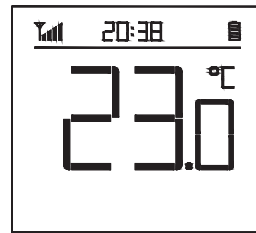


Figure 15. Room Thermostat Unit Operation Screen

8.3. DISPLAYING INDICATORS OF FAILURE AND (WRENCH) SYMBOL ON THE ROOM THERMOSTAT

When the boiler is in a failure status, the SERVICE symbol (Wrench symbol) appears at the bottom of the display (see Figure 16); the corresponding failure code is displayed when you press either up or down keys for the first time. In this case, take the necessary actions by referring to the Failure/Error codes in the combi boiler Installation and User Manual.

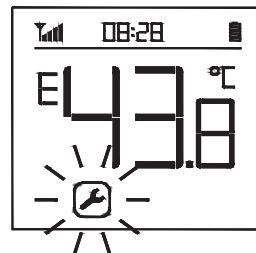


Figure 16. Room Thermostat Unit Failure Screen

8.4. SETTING THE OPERATING MODES

When you press both (+) and (-) buttons on the Thermostat Unit at the same time, the current operating mode of your combi boiler is displayed; you can change the modes by following the steps below:

- Room temperature set value (SET),
- Heating temperature set value (CH),
- Domestic hot water temperature set value (DHW),
- Operating Modes (mod);
 - a. OFF,
 - b. Auto (aut) (It is activated when weekly schedule is enabled in the mobile application and it appears on the display)
 - c. Winter (Wt),
 - d. Summer (SU),
- Backlight illumination mode option (Lght)
 - a. Display light on (On)
 - b. Display light off (OFF)
- Internet Connection usage mode (md2)
 - a. There is an Internet connection (On), Weekly schedule and time can be used.
 - b. No Internet (OFF), Weekly schedule and time cannot be used!

Operating Mode Abbreviations

- **Wt** - Winter (Heating and Domestic Hot Water are provided)
- **aut** - Automatic (Weekly heating program is activated)
- **OFF** - Off (The combi boiler off; Heating and Domestic Hot Water are not provided)
- **SU** - Summer (Domestic Hot Water is provided, but Heating is not provided.)
- **rSt** - Reset function for the combi boiler

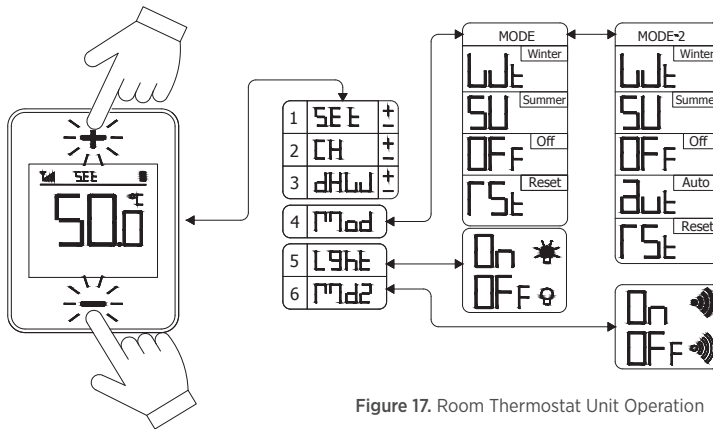
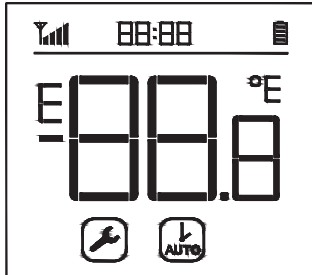


Figure 17. Room Thermostat Unit Operation

Next time you press both of the buttons, these modes will be displayed in order. Your combi boiler will switch to the mode whichever you leave.

If the failure indicator is active, the error code will be displayed after Lght (Lighting Adjustment) in the sequence of operating modes display. If you press (+) or (-) buttons in this menu, «rSt» will be displayed. In this case, your combi boiler will be reset (We would like to remind that it is not proper to perform reset function without investigating the cause of the failure.)

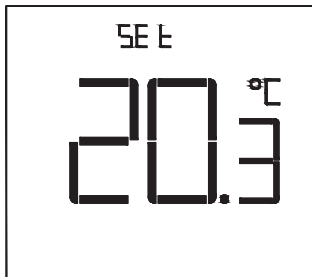
Sample Screenshots:



LCD TEST SCREEN



WAITING SCREEN



TEMPERATURE ADJUSTMENT SCREEN



FAILURE/ERROR SCREEN

Figure 18. Room Thermostat Unit Sample Screenshots

8.5. RESTORING FACTORY SETTINGS

You can do this using a tool with a thin tip such as a paper clip or needle. To do this, unplug the Recowa Combi Boiler Control Unit from the mains. Press the tip of a straightened paper clip towards the Restore Factory Settings Button through the hole on the side. While pressing down, insert the power plug and turn on the power again and hold it in this position for 15 seconds, then pull it out. The room thermostat unit is now restored to Factory Settings.

In this case, you need to configure it again.



CAUTION: Factory Settings should be performed **ONLY BY AN AUTHORIZED SERVICE**

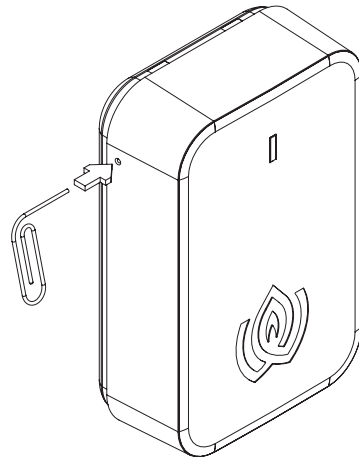


Figure 19. Restoring Factory Settings via Combi Boiler Control Unit

8.6.DISABLING RecoWa COMBI BOILER CONTROL UNIT

When the Smart Room thermostat system is installed, the buttons and keys on the control panel of your combi boiler are disabled and non-functional, the combi boiler is fully controlled by Recowa mobile phone application.

When you want to disable (cancel) the smart room thermostat system for any reason (such as the failure of the Combi Boiler Control Unit, or being out of order due to physical damage) and control the combi boiler using its buttons and keys on its panel, this can be done in two ways:

1. Plug off the electrical power supply of the Combi Boiler Control Unit from the socket (Figure 20-1).
2. Bring the switch on the right side of the Combi Boiler Control Unit upwards to position (B) (Figure 20-2).
 - Disconnect the power supply to the boiler (if it is a plug-in connection, remove the plug from the socket) and wait 5 seconds and insert the plug to the socket again.
 - If the power supply of your boiler is directly connected to the fuse, switch off the fuse (V-Automat switch) and switch on the fuse again after waiting 5 seconds (Figure 20-3).
 - You can now control the combi boiler using its control panel, as the Recowa unit is completely disabled.



If the electrical power supply of the Combi Boiler Control Unit is supplied directly by the V-Automat switch, you must inform our Authorized Service in order to stop the connection and do not perform any operation yourself!

NOTE: After the repair of the Combi Boiler Control Unit, the installation should be made by our Authorized Service to be able to control your boiler again via the thermostat.

This switch on the device is at position (A) as a factory setting.

Position A: Thermostat control is enabled.

Position B: Thermostat control is disabled.

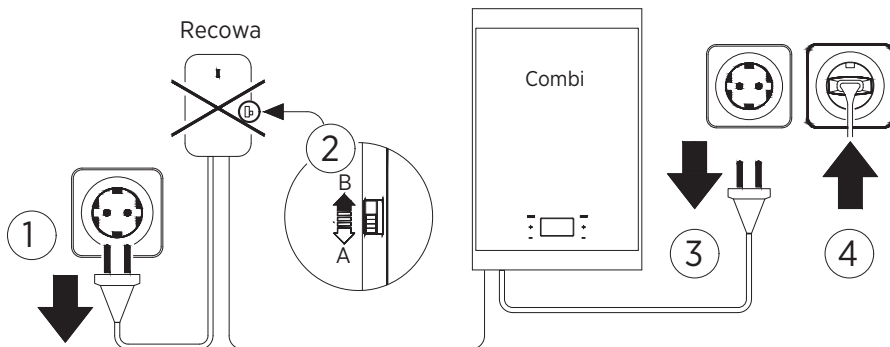


Figure 20. Disabling the Room Thermostat via the Combi Boiler Control Unit

9. FEATURES OF THE MOBILE APPLICATION AND INSTALLATION TO THE SMARTPHONE

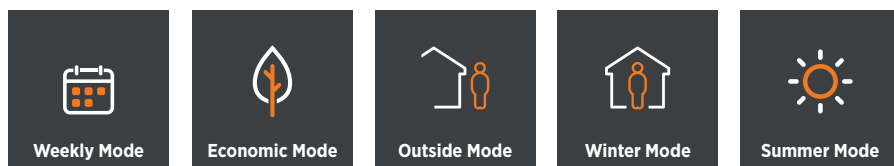
9.1. FEATURES OF THE MOBILE APPLICATION

- > The ability to be used by multiple users
- > Adjusting heating and domestic hot water temperature
- > Displaying and changing room temperatures and time settings
- > The ability of scheduling for a week on the scale of hours and minutes,
- > Modulated operation based on the room temperature
- > CH circuit water pressure
- > Return water temperature
- > Combi boiler failure/error codes
- > Battery and signal status
- > Operating mode
- > Ability to display the current weather temperature value from the Internet or Outdoor Temperature Sensor



Figure 21. Mobile Application Operation Screens

5 Different Mode Options



9.2. INSTALLING RECOWA MOBILE APPLICATION TO THE SMARTPHONE

- Download the free RecoWa mobile app from your App Store or Google Play to your smartphone.
- Open the mobile application you have downloaded, follow the instructions to complete the installation and membership process.
- Follow the instructions on the installation page in order and complete the installation.
- The thermostat unit and the combi boiler control unit are designed to match each other automatically. To do this, the Combi Boiler Control Unit (RF module) must be connected to the combi boiler.
- Once the Mobile App installation is completed, you can remotely manage your Combi Boiler device via your mobile phone.
- You can access user manual of the mobile application at www.warmhaus.com

9.3. MOBILE APPLICATION - MODE OPTIONS & DEFINITIONS

Thanks to 5 different operation modes, Recowa offers "At Home", "Economic", "Outside", "Weekly", and "Summer" modes, you can heat up or save as much as you desire.



Home Mode, keeps your home temperature constant at the value you set independent from the schedule time. Usually, it allows you to keep the temperature at home at a constant room temperature value no matter it is day/night time or comfort/economy mode. The recommended temperature values are 21-23°C for comfort mode and 18-20°C for economic operation.



Economic Mode, keeps your home temperature constant at the value you set and offers a comfortable sleep. Usually, you can use it between 23: 00-07: 00, which is usually the sleeping period. The recommended temperature is 18-20°C.



Outside Mode, can be selected when you are going to be away from home for a short or long time.



Weekly Mode, changes the temperature of your home automatically based on the schedule you will set for a week, on a basis of hours and minutes.



Summer Mode, allows your combi boiler to operate only in domestic hot water mode by canceling the heating feature.

9.3.1. Defining Users

- a) The main user and the additional users have all permissions: adjusting temperature, weekly schedule, defining additional user, resetting, thermostat settings, domestic hot water (DHW) temperature, and heating (CH) temperature, etc.
- b) A maximum of 4 additional users can be defined; these users can be defined and canceled by the main user.

TECHNICAL SPECIFICATIONS

	Thermostat Unit	Combi Boiler RF Unit
Power Supply Voltage	2X AA Alkaline Battery (3V DC)	220 V AC 50Hz
Dimensions (H/W/D)	118 x 90 x 32 mm	137 x 88 x 44 mm
Operation Temperature	0 °C - 40 °C	0 °C - 40 °C
Storage Temperature	0 °C - 50 °C	0 °C - 50 °C
INGRESS PROTECTION (IP) RATING	20	21
Precision of Temperature Measurement	0.1 °C	0.1 °C
Precision of Setting Temperature	0.1 °C	0.1 °C
Precision of Combi Boiler ON/OFF Temperature	It can be adjusted between 0.1°C and 0.5°C.	
Data Cable Distance (between Combi Boiler and Combi Boiler Control Unit)		Maksimum 50 m
Frequencies	RF-433 MHz	Wi-Fi 2.5 GHz

TERMS OF WARRANTY

1. The warranty period starts from the date of purchase of the devices and apparatus.
2. The devices and apparatus are delivered to the customer by Warmhaus in a box. On-site commissioning is subject to a service charge.
3. Defects caused by the use of devices and apparatus contrary to the instructions in the user manual is not covered by the warranty.
4. Devices and apparatus are not covered by the warranty if they are damaged, broken, or scratched by the customer.
5. Damages caused by the use of devices and apparatuses of other brands and models without the approval of the manufacturer is not covered by the warranty.
6. During the warranty period, if it is determined that the defects of the devices and apparatuses are caused by the customer, the repair is not covered by the warranty and the costs incurred are borne by the customer.
7. Damages due to mains voltage/faulty electrical installation are not covered by the warranty.
8. In the case of malfunctions caused by force majeure such as fire, flood, earthquake, etc., devices and apparatus are not covered by the warranty.
9. If Recowa is found to be defective in accordance with Article 8 of the Consumer Protection Law No 6502, You may use one of the following rights specified in Article 11 of the same law:
 - a) Reneging on the contract,
 - b) Requesting discount for the sales price,
 - c) Requesting repair free of charge,
 - d) Requesting replacement of the sold product with a product free from defects.
10. When you select to use the right of requesting repair free of charge among these rights, your Recowa is repaired by our authorized service without any charge for labor costs, replacement parts, or any other charges. The technical methods to be applied for the elimination of the fault and the parts to be replaced are entirely determined by our company.
11. When you use the right of requesting the repair of Recowa free of charge;
 - If it fails again during the warranty period,
 - If the maximum time required for repair is exceeded,
 - If it is determined that the repair is not possible and reported by our authorized service or factory; you can request a refund the amount paid, a discount based on the rate of defect or, if possible, the replacement of Recowa with a defect-free equivalent.
12. The repair period for Recowa cannot exceed 20 working days. This period commences on the date of notification of the failure of Recowa to our Authorized Service or the seller within the warranty period and from the date of delivery of Recowa's Authorized Service when it is outside of the warranty period. In case the defect of Recowa cannot be repaired within 10 working days, another device with similar features is allocated to the consumer's use until the repair of Recowa is completed by our company. In the event, the product defects within the warranty period, the time spent for repair will be added to the warranty period.
13. In case of a dispute that may arise in relation to the use of the warranty rights, you may apply to the Consumer Arbitration Committee or the Consumer Court where the settlement is located or where the consumer transaction is made.
14. In case of disputes relating to the Certificate of Warranty, you may apply to the Ministry of Customs and Trade, Directorate General for Consumer Protection and Market Surveillance.

DECLARATION OF CONFORMITY

WARMHAUS Isıtma ve Soğutma Sistemleri San. Tic. A.Ş. declares that the product mentioned below is manufactured under its responsibility in accordance with the following directives and standards. **The original declaration of conformity and the relevant documentation can be viewed at the manufacturer.**

Name and Model of the Product: RecoWa SRT01

This product has been manufactured in accordance with the following standards and norms under the requirements of Directive R&TTE 1999/5/EC..

SAFETY

Low Voltage Directive 2006/95/AT (LVD EN 60950-1 :2006/A2:2013)

ELECTROMAGNETIC COMPATIBILITY

Electromagnetic Compatibility Directive 2004/108/AT (EMC EN 301 489-1-3-17 V1.9.2)

RADIO SPECTRUM

Radio Spectrum (EN 300 220-1 V2.3.1) (EN 300 328 V1.7.1 2006-10)

Any changes or modifications made on the device not expressly approved by the manufacturer could void the user's authority to operate this device. Never dispose of devices with other household waste. Please get information about the local rules for the separate collection of electrical and electronic products. The proper disposal of your old product helps to prevent negative effects on the environment and human health.

All descriptions and illustrations in this document have been prepared meticulously, but our right to make changes and improvements in our products that may affect the accuracy of the information contained in this brochure/booklet is reserved. All products are sold subject to our standard Terms of Sale, available upon request.



MANUFACTURER COMPANY

WARMHAUS Isıtma ve Soğutma Sistemleri San. Tic. A.Ş.

İşıktepe OSB Mah. Park Cad. No: 10

16140 Nilüfer / BURSA

T +90 224 295 94 00 **F** +90 224 411 23 77

www.warmhaus.com.tr

info@warmhaus.com

150.11.606.000064 - Revision No / Date: 00 / 12.2019