



User's Manual **Οδηγίες Χρήσης**

ΚΛΙΜΑΤΙΣΤΙΚΟ ΤΟΙΧΟΥ ΤΥΠΟΥ INVERTER **WALL MOUNTED AIR CONDITIONER INVERTER TYPE**

MODELS/MONTEΛΑ

KTG-09CH

KTG-12CH

KTG-18CH

KTG-24CH

Thank you for purchasing our product.

- Before using this product, be sure to read this Instruction Manual to ensure proper usage. Please keep this manual for later reference.
- Improper use of this product may result in a malfunction, failure, unexpected accident, or create a potential hazard.

Ευχαριστούμε που επιλέξατε το κλιματιστικό TOYOTOMI.

Για τη σωστή του χρήση παρακαλούμε διαβάστε το εγχειρίδιο χρήσης προσεκτικά, πριν θέσετε τη μονάδα σε λειτουργία και κρατήστε το σε καλή κατάσταση για μελλοντική αναφορά.

Contents

Safety precautions..... 4

Parts name 10

Installation notice..... 10

Installation of outdoor unit 17

Test and operation 21

Configuration of connection pipe 22

Specialist’s Manual..... 23

This appliance is not intended for use by persons (including children) with reduced physical, sensory or mental capabilities, or lack of experience and knowledge, unless they have been given supervision or instruction concerning use of the appliance by a person responsible for their safety.

Children should be supervised to ensure that they do not play with the appliance.



This marking indicates that this product should not be disposed with other household wastes throughout the EU. To prevent possible harm to the environment or human health from uncontrolled waste disposal, please recycle it responsibly to promote the sustainable reuse of material resources. By ensuring proper product disposal, you

help prevent potential negative environmental and health impacts. Recycling materials will help save natural resources. To dispose/return your used device please follow the return and collection systems of your country or contact the retailer from where you purchased this product. This product must be send for environmental safe recycling.
R32:675



Appliance filled with flammable gas R32.



Before use the appliance, read the owner's manual first.



Before install the appliance, read the installation manual first.



Before repair the appliance, read the service manual first.

The Refrigerant

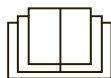
- To realize the function of the air conditioner unit, a special refrigerant circulates in the system. The used refrigerant is the fluoride R32, which is specially cleaned. The refrigerant is flammable and inodorous. Furthermore, it can leads to explosion under certain conditions. But the flammability of the refrigerant is very low. It can be ignited only by fire.
- Compared to common refrigerants, R32 is a nonpolluting refrigerant with no harm to the ozonosphere. The influence upon the greenhouse effect is also lower. R32 has got very good thermodynamic features which lead to a really high energy efficiency. The units therefore need a less filling.

WARNING :

Do not use means to accelerate the defrosting process or to clean, other than those recommended by the manufacture. Should repair be necessary, contact your nearest authorized Service Centre. Any repairs carried out by unqualified personnel may be dangerous. The appliance shall be stored in a room without continuously operating ignition sources. (for example: open flames, an operating gas appliance or an operating electric heater.) Do not pierce or burn.

Appliance shall be installed, operated and stored in a room with a floor area larger than 4m².

Appliance filled with flammable gas R32. For repairs, strictly follow manufacturer's instructions only. Be aware that refrigerants not contain odour. Read specialist's manual.



Precautions



WARNING

Operation and Maintenance

- This appliance can be used by children aged from 8 years and above and persons with reduced physical, sensory or mental capabilities or lack of experience and knowledge if they have been given supervision or instruction concerning use of the appliance in a safe way and understand the hazards involved.
- Children shall not play with the appliance.
- Cleaning and user maintenance shall not be made by children without supervision.
- Do not connect air conditioner to multi-purpose socket. Otherwise, it may cause fire hazard.
- Do not disconnect power supply when cleaning air conditioner. Otherwise, it may cause electric shock.
- If the supply cord is damaged, it must be replaced by the manufacturer, its service agent or similarly qualified persons in order to avoid a hazard.
- Do not wash the air conditioner with water to avoid electric shock.
- Do not spray water on indoor unit. It may cause electric shock or malfunction.
- After removing the filter, do not touch fins to avoid injury.
- Do not use fire or hair dryer to dry the filter to avoid deformation or fire hazard.

Precautions



WARNING

- Maintenance must be performed by qualified professionals. Otherwise, it may cause personal injury or damage.
- Do not repair air conditioner by yourself. It may cause electric shock or damage. Please contact dealer when you need to repair air conditioner.
- Do not extend fingers or objects into air inlet or air outlet. It may cause personal injury or damage.
- Do not block air outlet or air inlet. It may cause malfunction.
- Do not spill water on the remote controller, otherwise the remote controller may be broken.
- When below phenomenon occurs, please turn off air conditioner and disconnect power immediately, and then contact the dealer or qualified professionals for service.
 - Power cord is overheating or damaged.
 - There's abnormal sound during operation.
 - Circuit break trips off frequently.
 - Air conditioner gives off burning smell.
 - Indoor unit is leaking.
- If the air conditioner operates under abnormal conditions, it may cause malfunction, electric shock or fire hazard.
- When turning on or turning off the unit by emergency operation switch, please press this switch with an insulating object other than metal.
- Do not step on top panel of outdoor unit, or put heavy objects. It may cause damage or personal injury.

Precautions



- Installation must be performed by qualified professionals. Otherwise, it may cause personal injury or damage.
- Must follow the electric safety regulations when installing the unit.
- According to the local safety regulations, use qualified power supply circuit and circuit break.
- Do install the circuit break. If not, it may cause malfunction.
- An all-pole disconnection switch having a contact separation of at least 3mm in all poles should be connected in fixed wiring.
- Including an circuit break with suitable capacity, please note the following table. Air switch should be included magnet buckle and heating buckle function, it can protect the circuit-short and overload.
- Air Conditioner should be properly grounded. Incorrect grounding may cause electric shock.
- Don't use unqualified power cord.
- Make sure the power supply matches with the requirement of air conditioner. Unstable power supply or incorrect wiring or malfunction. Please install proper power supply cables before using the air conditioner.
- Properly connect the live wire, neutral wire and grounding wire of power socket.
- Be sure to cut off the power supply before proceeding any work related to electricity and safety.

Precautions



- Do not put through the power before finishing installation.
- If the supply cord is damaged, it must be replaced by the manufacturer, its service agent or similarly qualified persons in order to avoid a hazard.
- The temperature of refrigerant circuit will be high, please keep the interconnection cable away from the copper tube.
- The appliance shall be installed in accordance with national wiring regulations.
- Installation must be performed in accordance with the requirement of NEC and CEC by authorized personnel only.
- The air conditioner is the first class electric appliance. It must be properly grounding with specialized grounding device by a professional. Please make sure it is always grounded effectively, otherwise it may cause electric shock.
- The yellow-green wire in air conditioner is grounding wire, which can't be used for other purposes.
- The grounding resistance should comply with national electric safety regulations.
- The appliance must be positioned so that the plug is accessible.
- All wires of indoor unit and outdoor unit should be connected by a professional.
- If the length of power connection wire is insufficient, please contact the supplier for a new one. Avoid extending the wire by yourself.

Precautions



WARNING

- For the air conditioner with plug, the plug should be reachable after finishing installation
- For the air conditioner without plug, an circuit break must be installed in the line.
- If you need to relocate the air conditioner to another place, only the qualified person can perform the work. Otherwise, it may cause personal injury or damage.
- Select a location which is out of reach for children and far away from animals or plants. If it is unavoidable, please add the fence for safety purpose.
- The indoor unit should be installed close to the wall
- Instructions for installation and use of this product are provided by the manufacturer.

Precautions



WARNING

- The air conditioner is not allowed to use in a room that has running fire (such as fire source, working coal gas ware, operating heater).
- It is not allowed to drill hole or burn the connection pipe.
- The air conditioner must be installed in a room that is larger than the minimum room area. The minimum room area is shown on the nameplate or following table a.
- Leak test is a must after installation.
- Instructions for installation and use of this product are provided by the manufacturer.

Working temperature range

9K , 18K , 24K

	Indoor side DB/WB(°C)	Outdoor side DB/WB(°C)
Maximum cooling	32/23	50/26
Maximum heating	27/-	30/18

The operating temperature range is -15°C ~50°C.

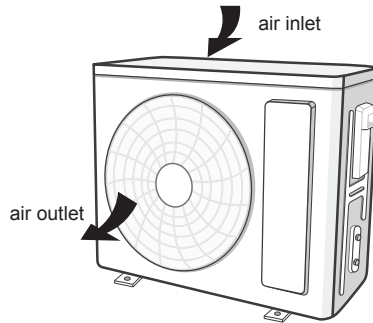
12K

	Indoor side DB/WB(°C)	Outdoor side DB/WB(°C)
Maximum cooling	32/23	43/26
Maximum heating	27/-	24/18

The operating temperature range is -15°C ~43°C .

Parts name

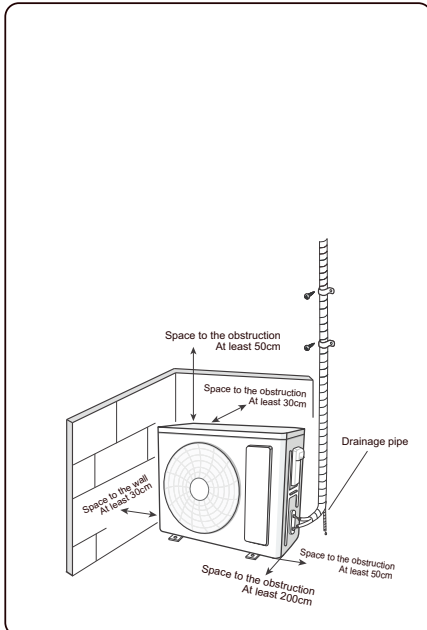
Outdoor Unit



NOTE

- Actual product may be different from above graphics, please refer to actual product.

Installation notice



Tools for installation

1 Level meter	2 Screw driver	3 Impact drill
4 Drill head	5 Pipe expander	6 Torque wrench
7 Open-end wrench	8 Pipe cutter	9 Leakage detector
10 Vacuum pump	11 Pressure meter	12 Universal meter
13 Inner hexagon spanner		14 Measuring tape

- Note:**
- Please contact the local agent for installation.
 - Don't use unqualified power cord.

Selection of installation location

<p>Basic requirement</p> <p>Installing the unit in the following places may cause malfunction. If it is unavoidable, please consult the local dealer:</p> <ol style="list-style-type: none"> 1. The place with strong heat sources, vapors, flammable or explosive gas, or volatile objects spread in the air. 2. The place with high-frequency devices (such as welding machine, medical equipment). 3. The place near coast area. 4. The place with oil or fumes in the air. 5. The place with sulfureted gas. 6. Other places with special circumstances. 7. The appliance shall not be installed in the laundry. 	<p>Outdoor unit</p> <ol style="list-style-type: none"> 1. Select a location where the noise and outflow air emitted by the outdoor unit will not affect neighborhood. 2. The location should be well ventilated and dry, in which the outdoor unit won't be exposed directly to sunlight or strong wind. 3. The location should be able to withstand the weight of outdoor unit. 4. Make sure that the installation follows the requirement of installation dimension diagram. 5. Select a location which is out of reach for children and far away from animals or plants. If it is unavoidable, please add the fence for safety purpose.
<p>Safety precaution</p> <ol style="list-style-type: none"> 1. Must follow the electric safety regulations when installing the unit. 2. According to the local safety regulations, use qualified power supply circuit and air switch. 3. Make sure the power supply matches with the requirement of air conditioner. Unstable power supply or incorrect wiring or malfunction. Please install proper power supply cables before using the air conditioner. 4. Properly connect the live wire, neutral wire and grounding wire of power socket. 	

5. Be sure to cut off the power supply before proceeding any work related to electricity and safety.
6. Do not put through the power before finishing installation.
7. If the supply cord is damaged, it must be replaced by the manufacturer, its service agent or similarly qualified persons in order to avoid a hazard.
8. The temperature of refrigerant circuit will be high, please keep the interconnection cable away from the copper tube.
9. The appliance shall be installed in accordance with national wiring regulations.
10. Appliance shall be installed, operated and stored in a room with a floor area larger than 4m².



Please notice that the unit is filled with flammable gas R32. Inappropriate treatment of the unit involves the risk of severe damages of people and material. Details to this refrigerant are found in chapter “refrigerant”.

Requirements for electric connection

Grounding requirement

1. The air conditioner is the first class electric appliance. It must be properly grounding with specialized grounding device by a professional. Please make sure it is always grounded effectively, otherwise it may cause electric shock.
2. The yellow-green wire in air conditioner is grounding wire, which can't be used for other purposes.
3. The grounding resistance should comply with national electric safety regulations.
4. The appliance must be positioned so that the plug is accessible.
5. An all-pole disconnection switch having a contact separation of at least 3mm in all poles should be connected in fixed wiring.

Air switch capacity

Including an air switch with suitable capacity, please note the following table. Air switch should be included magnet buckle and heating buckle function, it can protect the circuit-short and overload. (Caution: please do not use the fuse only for protect the circuit)

Air-conditioner	Air switch capacity
09K	10A
12K	10A
18K	16A
24K	25A

Configuration of connection pipe

1. Standard length of connection pipe
 - 5m, 7.5m, 8m.
2. Min. length of connection pipe is 3m.
3. Max. length of connection pipe

Cooling capacity	Max length of connection pipe
5000Btu/h (1465W)	15
7000Btu/h (2051W)	15
9000Btu/h (2637W)	15
12000Btu/h (3516W)	20
18000Btu/h (5274W)	25

Cooling capacity	Max length of connection pipe
24000Btu/h (7032W)	25
28000Btu/h (8204W)	30
36000Btu/h (10548W)	30
42000Btu/h (12306W)	30
48000Btu/h (14064W)	30

4. The additional refrigerant oil and refrigerant charging required after prolonging connection pipe
 - After the length of connection pipe is prolonged for 10m at the basis of standard length, you should add 5ml of refrigerant oil for each additional 5m of connection pipe.
The calculation method of additional refrigerant charging amount (on the basis of liquid pipe):
 - Additional refrigerant charging amount = prolonged length of liquid pipe × additional refrigerant charging amount per meter
 - Basing on the length of standard pipe, add refrigerant according to the requirement as shown in the table. The additional refrigerant charging amount per meter is different according to the diameter of liquid pipe. See the following sheet.

Configuration of connection pipe

Sheet 2. Additional refrigerant charging amount for R32

Diameter of connection pipe mm		Indoor unit throttle	Outdoor unit throttle	
Liquid pipe	Gas pipe	Cooling only, cooling and heating (g / m)	Cooling only (g / m)	cooling and heating (g / m)
Φ6	Φ9.5 or Φ12	16	12	16
Φ6 or Φ9.5	Φ16 or Φ19	40	12	40
Φ12	Φ19 or Φ22.2	80	24	96
Φ16	Φ25.4 or Φ31.8	136	48	96
Φ19	—	200	200	200
Φ22.2	—	280	280	280

Note: The additional refrigerant charging amount in Sheet 2 is recommended value, not compulsory.

Safety operation of flammable refrigerant

Qualification requirement for installation and maintenance man

- All the work men who are engaging in the refrigeration system should bear the valid certification awarded by the authoritative organization and the qualification for dealing with the refrigeration system recognized by this industry. If it needs other technician to maintain and repair the appliance, they should be supervised by the person who bears the qualification for using the flammable refrigerant.
- It can only be repaired by the method suggested by the equipment’s manufacturer.

Installation notes

- The air conditioner is not allowed to use in a room that has running fire (such as fire source, working coal gas ware, operating heater).
- It is not allowed to drill hole or burn the connection pipe.
- The air conditioner must be installed in a room that is larger than the minimum room area. The minimum room area is shown on the nameplate or following table a.
- Leak test is a must after installation.

table a - Minimum room area (m²)

Minimum room area(m ²)	Charge amount (kg)	≤1.2	1.3	1.4	1.5	1.6	1.7	1.8	1.9	2	2.1	2.2	2.3	2.4	2.5
	floor location	/	14.5	16.8	19.3	22	24.8	27.8	31	34.3	37.8	41.5	45.4	49.4	53.6
	window mounted	/	5.2	6.1	7	7.9	8.9	10	11.2	12.4	13.6	15	16.3	17.8	19.3
	wall mounted	/	1.6	1.9	2.1	2.4	2.8	3.1	3.4	3.8	4.2	4.6	5	5.5	6
	ceiling mounted	/	1.1	1.3	1.4	1.6	1.8	2.1	2.3	2.6	2.8	3.1	3.4	3.7	4

Maintenance notes

- Check whether the maintenance area or the room area meet the requirement of the nameplate.
 - It's only allowed to be operated in the rooms that meet the requirement of the nameplate.
- Check whether the maintenance area is well-ventilated.
 - The continuous ventilation status should be kept during the operation process.
- Check whether there is fire source or potential fire source in the maintenance area.
 - The naked flame is prohibited in the maintenance area; and the “no smoking” warning board should be hanged.
- Check whether the appliance mark is in good condition.
 - Replace the vague or damaged warning mark.

Welding

• If you should cut or weld the refrigerant system pipes in the process of maintaining, please follow the steps as below:

- a. Shut down the unit and cut power supply
- b. Eliminate the refrigerant
- c. Vacuuming
- d. Clean it with N2 gas
- e. Cutting or welding
- f. Carry back to the service spot for welding

The refrigerant should be recycled into the specialized storage tank.

Make sure that there isn't any naked flame near the outlet of the vacuum pump and it's well-ventilated.

Filling the refrigerant

- Use the refrigerant filling appliances specialized for R32. Make sure that different kinds of refrigerant won't contaminate with each other.
- The refrigerant tank should be kept upright at the time of filling refrigerant.
- Stick the label on the system after filling is finished (or haven't finished).
- Don't overfilling.
- After filling is finished, please do the leakage detection before test running; another time of leak detection should be done when it's removed.

Safety instructions for transportation and storage

- Please use the flammable gas detector to check before unload and open the container.
- No fire source and smoking.
- According to the local rules and laws.

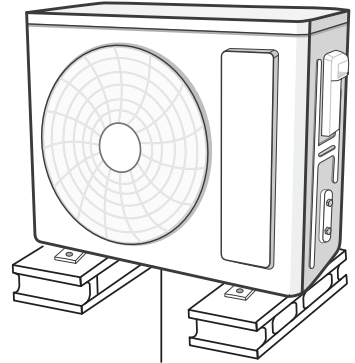
Installation of outdoor unit

Step one: fix the support of outdoor unit

(select it according to the actual installation situation)

1. Select installation location according to the house structure.
2. Fix the support of outdoor unit on the selected location with expansion screws.

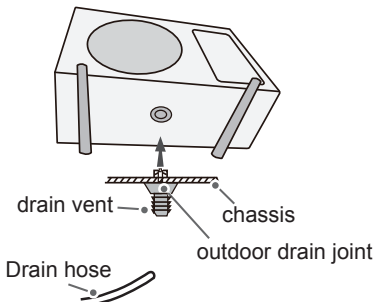
- Take sufficient protective measures when installing the outdoor unit.
- Make sure the support can withstand at least four times of the unit weight.
- The outdoor unit should be installed at least 3cm above the floor in order to install drain joint.
- For the unit with cooling capacity of 2300W ~5000W, 6 expansion screws are needed; for the unit with cooling capacity of 6000W ~8000W, 8 expansion screws are needed; for the unit with cooling capacity of 10000W ~16000W, 10 expansion screws are needed.



at least 3cm above the floor

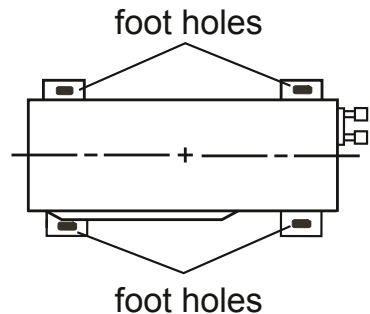
Step two: install drain joint (Only for cooling and heating unit)

1. Connect the outdoor drain joint into the hole on the chassis, as shown in the picture below.
2. Connect the drain hose into the drain vent.



Step three: fix outdoor unit

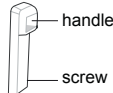
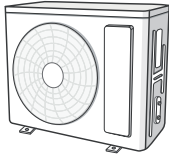
1. Place the outdoor unit on the support.
2. Fix the foot holes of outdoor unit with bolts.



Installation of outdoor unit

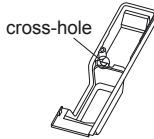
Step four: connect indoor and outdoor pipes

1. Remove the screw on the right handle of outdoor unit and then remove the handle.

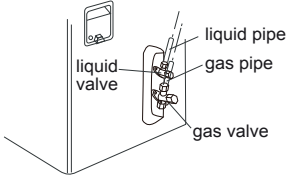


NOTE

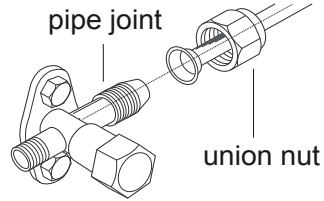
- When there're multiple cables passing through it, the cross-hole of handle should be knocked off and eliminate the sharp burrs for avoid damaging the cables.
- Only applicable for some models.



2. Remove the screw cap of valve and aim the pipe joint at the bellmouth of pipe.



3. Pretightening the union nut with hand.

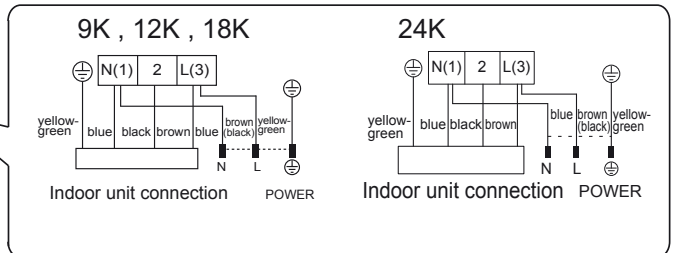
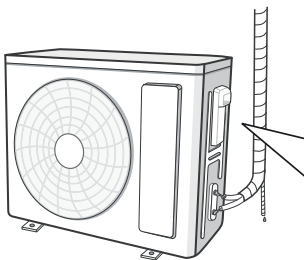


4. Tighten the union nut with torque wrench by referring to the sheet below.

Hex nut diameter	Tightening torque (N·m)
Φ 6	15~20
Φ 9.52	30~40
Φ 12	45~55
Φ 16	60~65
Φ 19	70~75

Step five: connect outdoor electric wire

1. Remove the wire clip; connect the power connection wire and signal control wire (only for cooling and heating unit) to the wiring terminal according to the color; fix them with screws.



Note: The wiring board is for reference only. Please refer to the actual one.

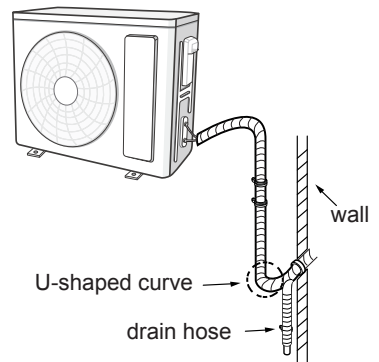
- Fix the power connection wire and signal control wire with wire clip (only for cooling and heating unit).

Note:

- After tighten the screw, pull the power cord slightly to check if it is firm.
- Never cut the power connection wire to prolong or shorten the distance.

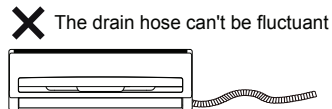
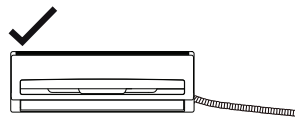
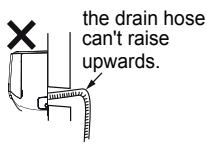
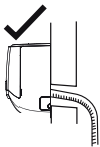
Step six: neaten the pipes

- The pipes should be placed along the wall, bent reasonably and hidden possibly. Min. semidiameter of bending the pipe is 10cm.
- If the outdoor unit is higher than the wall hole, you must set a U-shaped curve in the pipe before pipe goes into the room, in order to prevent rain from getting into the room.

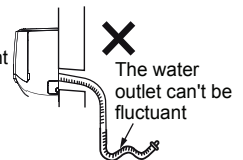
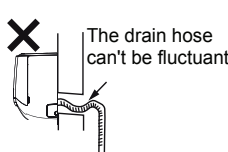
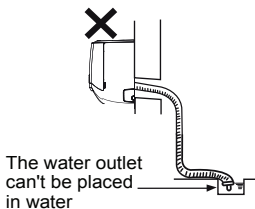


Note:

- The through-wall height of drain hose shouldn't be higher than the outlet pipe hole of indoor unit.
- Slant the drain hose slightly downwards. The drain hose can't be curved, raised and fluctuant, etc.



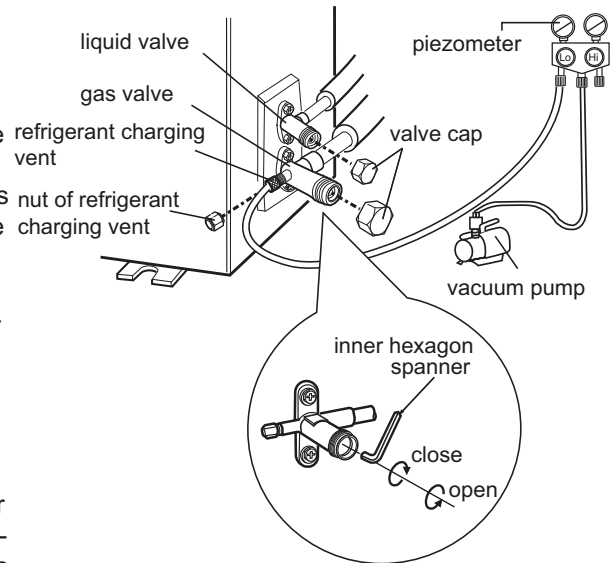
- The water outlet can't be placed in water in order to drain smoothly.



Vacuum pumping

Use vacuum pump

1. Remove the valve caps on the liquid valve and gas valve and the nut of refrigerant charging vent.
2. Connect the charging hose of piezometer to the refrigerant charging vent of gas valve and then connect the other charging hose to the vacuum pump.
3. Open the piezometer completely and operate for 10-15min to check if the pressure of piezometer remains in -0.1MPa.
4. Close the vacuum pump and maintain this status for 1-2min to check if the pressure of piezometer remains in -0.1MPa. If the pressure decreases, there may be leakage.
5. Remove the piezometer, open the valve core of liquid valve and gas valve completely with inner hexagon spanner.
6. Tighten the screw caps of valves and refrigerant charging vent.
7. Reinstall the handle.



Leakage detection

1. With leakage detector:
Check if there is leakage with leakage detector.
2. With soap water:
If leakage detector is not available, please use soap water for leakage detection. Apply soap water at the suspected position and keep the soap water for more than 3min. If there are air bubbles coming out of this position, there's a leakage.

Check after installation

- Check according to the following requirement after finishing installation.

Items to be checked	Possible malfunction
Has the unit been installed firmly?	The unit may drop, shake or emit noise.
Have you done the refrigerant leakage test?	It may cause insufficient cooling (heating) capacity.
Is heat insulation of pipeline sufficient?	It may cause condensation and water dripping.
Is water drained well?	It may cause condensation and water dripping.
Is the voltage of power supply according to the voltage marked on the nameplate?	It may cause malfunction or damaging the parts.
Is electric wiring and pipeline installed correctly?	It may cause malfunction or damaging the parts.
Is the unit grounded securely?	It may cause electric leakage.
Does the power cord follow the specification?	It may cause malfunction or damaging the parts.
Is there any obstruction in the air inlet and outlet?	It may cause insufficient cooling (heating) capacity.
The dust and sundries caused during installation are removed?	It may cause malfunction or damaging the parts.
The gas valve and liquid valve of connection pipe are open completely?	It may cause insufficient cooling (heating) capacity.
Is the inlet and outlet of piping hole been covered?	It may cause insufficient cooling (heating) capacity or waster eletricity.

Test operation

1. Preparation of test operation

- Specify the important notes for air conditioner to the client.

2. Method of test operation

- Put through the power, press ON/OFF button on the remote controller to start operation.
- Press MODE button to select AUTO, COOL, DRY, FAN and HEAT to check whether the operation is normal or not.
- If the ambient temperature is lower than 16°C , the air conditioner can't start cooling.

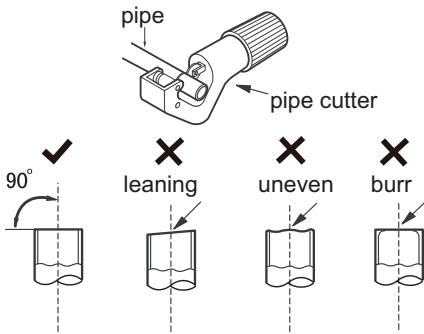
Pipe expanding method

Note:

Improper pipe expanding is the main cause of refrigerant leakage. Please expand the pipe according to the following steps:

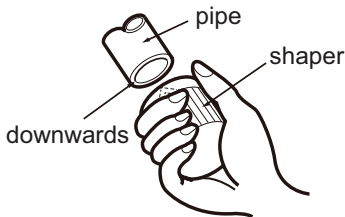
A: Cut the pipe

- Confirm the pipe length according to the distance of indoor unit and outdoor unit.
- Cut the required pipe with pipe cutter.



B: Remove the burrs

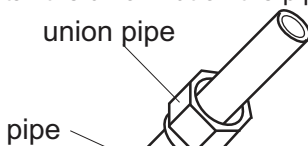
- Remove the burrs with shaper and prevent the burrs from getting into the pipe.



C: Put on suitable insulating pipe

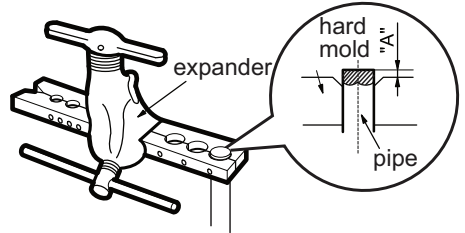
D: Put on the union nut

- Remove the union nut on the indoor connection pipe and outdoor valve; install the union nut on the pipe.



E: Expand the port

- Expand the port with expander.



Note:

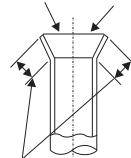
- "A" is different according to the diameter, please refer to the sheet below:

Outer diameter (mm)	A(mm)	
	Max	Min
Φ6 - 6.35(1/4")	1.3	0.7
Φ9.52(3/8")	1.6	1.0
Φ12-12.7(1/2")	1.8	1.0
Φ15.8-16(5/8")	2.4	2.2

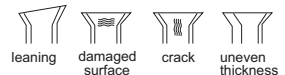
F: Inspection

- Check the quality of expanding port. If there is any blemish, expand the port again according to the steps above.

smooth surface



improper expanding



the length is equal

Safety precautions for installing and relocating the unit

To ensure safety, please be mindful of the following precautions.

WARNING

1. **When installing or relocating the unit, be sure to keep the refrigerant circuit free from air or substances other than the specified refrigerant.** Any presence of air or other foreign substance in the refrigerant circuit will cause system pressure rise or compressor rupture, resulting in injury.
2. **When installing or moving the unit, do not charge the refrigerant which is not comply with that on the nameplate or unqualified refrigerant.** Otherwise, it may cause abnormal operation, wrong action, mechanical malfunction or even series safety accident.
3. **When refrigerant needs to be recovered during relocating or repairing the unit, be sure that the unit is running in cooling mode.** Then, fully close the valve at high pressure side (liquid valve). About 30-40 seconds later, fully close the valve at low pressure side (gas valve), immediately stop the unit and disconnect power. Please note that the time for refrigerant recovery should not exceed 1 minute. If refrigerant recovery takes too much time, air may be sucked in and cause pressure rise or compressor rupture, resulting in injury.
4. **During refrigerant recovery, make sure that liquid valve and gas valve are fully closed and power is disconnected before detaching the connection pipe.** If compressor starts running when stop valve is open and connection pipe is not yet connected, air will be sucked in and cause pressure rise or compressor rupture, resulting in injury.
5. **When installing the unit, make sure that connection pipe is securely connected before the compressor starts running.** If compressor starts running when stop valve is open and connection pipe is not yet connected, air will be sucked in and cause pressure rise or compressor rupture, resulting in injury.
6. **Prohibit installing the unit at the place where there may be leaked corrosive gas or flammable gas.** If there are leaked gasses around the unit, it may cause explosion and other accidents.
7. **Do not use extension cords for electrical connections.** If the electric wire is not long enough, please contact a local authorized service center and ask for a proper electric wire. Poor connections may lead to electric shock or fire.
8. **Use the specified types of wires for electrical connections between the indoor and outdoor units.** Firmly clamp the wires so that their terminals receive not external stresses. Electric wires with insufficient capacity, wrong wire connections and insecure wire terminals may cause electric shock or fire.

Περιεχόμενα

Μέτρα πρόληψης..... 26

Ονομασίες μερών 33

Διάγραμμα διαστάσεων εγκατάστασης..... 33

Εγκατάσταση εξωτερικής μονάδας 41

Έλεγχος μετά την εγκατάσταση 45

Μέθοδος εκχείλωσης των σωληνώσεων 46

Οδηγίες ασφαλείας για τον εγκαταστάτη 47

Η συσκευή αυτή δεν προορίζεται για χρήση από άτομα (περιλαμβανομένων των παιδιών) με μειωμένες σωματικές, αισθητικές ή πνευματικές ικανότητες ή από άτομα με έλλειψη εμπειρίας και γνώσης, εκτός αν βρίσκονται υπό εποπτεία ή τους έχουν παρασχεθεί οδηγίες σχετικά με τη χρήση της συσκευής, από κάποιο άτομο υπεύθυνο για την ασφάλειά τους. Τα παιδιά πρέπει να επιτηρούνται, ώστε να διασφαλίζεται ότι δεν παίζουν με τη συσκευή.

ΣΩΣΤΗ ΑΠΟΡΡΙΨΗ ΠΡΟΪΟΝΤΟΣ



Αποκομιδή Παλαιού Ηλεκτρικού & Ηλεκτρονικού Εξοπλισμού (Ισχύει στην Ευρωπαϊκή Ένωση και άλλες Ευρωπαϊκές χώρες με συστήματα επιλεκτικής συλλογής απορριμμάτων).

Το σύμβολο αυτό επάνω στο προϊόν ή στη συσκευασία του σημαίνει ότι, το προϊόν δεν πρέπει να πεταχτεί μαζί με τα οικιακά απορρίμματα αλλά, πρέπει να παραδοθεί σε ένα κατάλληλο σημείο συλλογής ηλεκτρικού και ηλεκτρονικού υλικού προς ανακύκλωση. Εξασφαλίζοντας τη σωστή αποκομιδή του προϊόντος βοηθάτε στην πρόληψη πιθανών αρνητικών επιπτώσεων στο περιβάλλον και την υγεία. Η ανακύκλωση των υλικών θα βοηθήσει στην εξοικονόμηση φυσικών πόρων. Για περισσότερες πληροφορίες σχετικά με την ανακύκλωση αυτού του προϊόντος, παρακαλούμε επικοινωνήστε με τις υπηρεσίες καθαριότητας του δήμου σας ή το κατάστημα όπου αγοράσατε το προϊόν. R32: 675



Συσκευή που εμπεριέχει εύφλεκτο ψυκτικό υγρό R32.



Διαβάστε προσεκτικά το εγχειρίδιο χρήσης πριν τη χρήση της συσκευής.



Πριν την εγκατάσταση της συσκευής, διαβάστε προσεκτικά τις οδηγίες αυτού του εγχειριδίου.



Πριν την επισκευή της συσκευής, διαβάστε προσεκτικά τις οδηγίες αυτού του εγχειριδίου.

ΨΥΚΤΙΚΟ ΥΓΡΟ

- Για την λειτουργία αυτής της κλιματιστικής συσκευής, ειδικό ψυκτικό υγρό κυκλοφορεί στο εσωτερικό της σύστημα. Το ψυκτικό υγρό είναι το R32, το οποίο έχει ειδική επεξεργασία καθαρισμού. Το ψυκτικό υγρό είναι εύφλεκτο και άοσμο. Μπορεί να οδηγήσει σε έκρηξη κάτω από συγκεκριμένες συνθήκες. Η ευφλεκτότητα του ψυκτικού υγρού είναι πολύ χαμηλή. Μπορεί να αναφλεχθεί μόνο με φωτιά.
- Συγκρινόμενο με τα παραδοσιακά ψυκτικά υγρά, το R32 είναι πολύ φιλικό προς το περιβάλλον το οποίο δεν καταστρέφει τον υδροφόρο ορίζοντα. Το ψυκτικό υγρό R32 διαθέτει πολύ καλά θερμοδυναμικά χαρακτηριστικά τα οποία έχουν ως αποτέλεσμα υψηλή ενεργειακή απόδοση. Κατά συνέπεια απαιτείται μικρότερη ποσότητα ψυκτικού υγρού στη συσκευή.

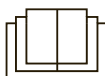
ΠΡΟΕΙΔΟΠΟΙΗΣΗ:

Μην χρησιμοποιείτε μεθόδους που δεν προτείνονται από τον κατασκευαστή για να επιταχύνετε τη διαδικασία απόψυξης ή τον καθαρισμό. Εάν απαιτείται επισκευή της συσκευής, επικοινωνήστε με το πλησιέστερο εξουσιοδοτημένο service.

Οποιαδήποτε προσπάθεια επισκευής από μη αδειούχο εξουσιοδοτημένο τεχνικό μπορεί να είναι επικίνδυνη. Η συσκευή πρέπει να τοποθετηθεί σε χώρο όπου δεν θα υπάρχει συνεχής λειτουργία πηγών ανάφλεξης (για παράδειγμα: φλόγες, συσκευή αερίου σε λειτουργία, ηλεκτρική συσκευή θέρμανσης κλπ). Μην τρυπάτε και μην καίτε την συσκευή.

Η συσκευή αυτή θα πρέπει να εγκαθίσταται και να λειτουργεί σε χώρο όπου θα είναι μεγαλύτερος των 4m².

Η συσκευή περιέχει εύφλεκτο υγρό R32. Για την επισκευή της, ακολουθείτε αυστηρώς τις οδηγίες του κατασκευαστή. Το ψυκτικό υγρό είναι άοσμο. Διαβάστε το εγχειρίδιο χρήσης.



Μέτρα Πρόληψης



Λειτουργία και Συντήρηση

- Η συσκευή αυτή δεν προορίζεται για χρήση από άτομα (περιλαμβανομένων των παιδιών) με μειωμένες σωματικές, αισθητικές ή πνευματικές ικανότητες ή από άτομα με έλλειψη εμπειρίας και γνώσης, εκτός αν βρίσκονται υπό εποπτεία ή τους έχουν παρασχεθεί οδηγίες σχετικά με τη χρήση της συσκευής, από κάποιο άτομο υπεύθυνο για την ασφάλειά τους.
- Τα παιδιά πρέπει να επιτηρούνται ώστε να διασφαλίζεται ότι δεν παίζουν με τη συσκευή.
- Ο καθαρισμός και η συντήρηση της συσκευής δεν πρέπει να γίνεται από παιδιά χωρίς επίβλεψη.
- Μην συνδέετε το κλιματιστικό σε πολύπριζο. Μπορεί να προκληθεί πυρκαγιά.
- Τερματίστε την λειτουργία του κλιματιστικού και αφαιρέστε το φινι από τη πρίζα πριν τον καθαρισμό του. Σε διαφορετική περίπτωση μπορεί να προκληθεί ηλεκτροπληξία.
- Εάν το καλώδιο της παροχής ρεύματος είναι κατεστραμμένο, πρέπει να αντικατασταθεί από εξουσιοδοτημένο αδειούχο τεχνικό, ώστε να αποφευχθούν τυχόν ατυχήματα.
- Μην πλένετε το κλιματιστικό με νερό. Μπορεί να προκληθεί ηλεκτροπληξία.
- Μην ψεκάζετε με νερό την εσωτερική μονάδα του κλιματιστικού. Μπορεί να προκληθεί ηλεκτροπληξία ή δυσλειτουργία του μηχανήματος.

Μέτρα Πρόληψης



ΠΡΟΣΟΧΗ

- Μετά την αφαίρεση των φίλτρων, μην ακουμπάτε τα εσωτερικά στοιχεία του μηχανήματος διαφορετικά μπορεί να τραυματιστείτε.
- Μην χρησιμοποιείτε φωτιά ή πιστολάκι μαλλιών για να στεγνώσετε τα φίλτρα. Μπορεί να προκληθεί φωτιά, τραυματισμός και παραμόρφωσή τους.
- Η συντήρηση του κλιματιστικού πρέπει να γίνεται μόνο από εξουσιοδοτημένο αδειούχο τεχνικό. Σε διαφορετική περίπτωση μπορεί να προκληθεί τραυματισμός ή ζημιά στο κλιματιστικό. Σε αυτή την περίπτωση η εγγύηση δεν έχει ισχύ.
- Μην προσπαθήσετε να επισκευάσετε το κλιματιστικό μόνοι σας. Μπορεί να προκληθεί ηλεκτροπληξία ή ζημιά. Παρακαλούμε καλέστε την αντιπροσωπία ή το εξουσιοδοτημένο σέρβις για την επισκευή του κλιματιστικού σας.
- Μην βάζετε τα δάκτυλά σας ή άλλα αντικείμενα μέσα στις εισόδους και εξόδους αέρα του κλιματιστικού. Μπορεί να προκληθεί τραυματισμός ή ζημιά στη συσκευή.
- Μην εμποδίζετε την έξοδο και είσοδο του αέρα. Μπορεί να προκληθεί δυσλειτουργία στη συσκευή.
- Μην ρίχνετε νερό στο τηλεχειριστήριο. Το τηλεχειριστήριο θα καταστραφεί.
- Στις παρακάτω περιπτώσεις τερματίστε τη λειτουργία του κλιματιστικού, αφαιρέστε το φιν από την πρίζα και επικοινωνήστε με το εξουσιοδοτημένο σέρβις για επισκευή:

Μέτρα Πρόληψης

- Το καλώδιο παροχής ρεύματος έχει υπερθερμανθεί ή καταστραφεί.
- Ακούγεται ασυνήθιστος θόρυβος κατά την λειτουργία.
- Η ασφάλεια πέφτει συχνά.
- Αναδύεται μυρωδιά καμένου από το κλιματιστικό.
- Υπάρχει διαρροή από την εσωτερική μονάδα.
- Σε περίπτωση που το κλιματιστικό λειτουργεί κάτω από ασυνήθιστες συνθήκες, μπορεί να προκληθεί δυσλειτουργία, ηλεκτροπληξία, φωτιά ή τραυματισμός.
- Όταν ενεργοποιείτε ή απενεργοποιείτε το κλιματιστικό από τον διακόπτη λειτουργίας έκτακτης ανάγκης, πατήστε αυτόν τον διακόπτη με ένα μονωμένο όχι μεταλλικό αντικείμενο.
- Μην πατάτε επάνω στην εξωτερική μονάδα. Μην τοποθετείτε βαριά αντικείμενα επάνω στην εξωτερική μονάδα. Μπορεί να προκληθεί τραυματισμός ή ζημιά.

ΠΡΟΣΟΧΗ

- Η εγκατάσταση του κλιματιστικού πρέπει να πραγματοποιείται μόνο από εξουσιοδοτημένο αδειούχο τεχνικό. Σε διαφορετική περίπτωση, μπορεί να προκληθεί τραυματισμός ή ζημιά.
- Οι εγχώριοι κανόνες ασφαλείας πρέπει να ακολουθούνται κατά την εγκατάσταση του κλιματιστικού.
- Σύμφωνα με τους εγχώριους κανόνες ασφαλείας, χρησιμοποιήστε κατάλληλο κύκλωμα παροχής ρεύματος.
- Εγκαταστήστε ασφάλεια στην παροχή ρεύματος. Σε διαφορετική περίπτωση θα προκληθεί δυσλειτουργία.
- Ένας τριπολικός διακόπτης με απόσταση επαφής στον κάθε πόλο τουλάχιστον 3 χιλιοστών, θα πρέπει να εγκατασταθεί στην παροχή ρεύματος.

Μέτρα Πρόληψης



ΠΡΟΣΟΧΗ

- Για την επιλογή της κατάλληλης ηλεκτρικής ασφάλειας του κυκλώματος, παρακαλούμε συμβουλευτείτε τον παρακάτω πίνακα. Θα πρέπει να διαθέτει μαγνητική και θερμική αποκοπή για να προστατεύει από βραχυκύκλωμα και υπερθέρμανση του κυκλώματος.
- Το κλιματιστικό πρέπει να έχει σωστή γείωση. Λανθασμένη γείωση μπορεί να προκαλέσει ηλεκτροπληξία. Μην χρησιμοποιείτε ακατάλληλο καλώδιο παροχής ρεύματος.
- Βεβαιωθείτε πως η παροχή ρεύματος είναι συμβατή με τις απαιτήσεις του κλιματιστικού. Ασταθής παροχή ρεύματος ή λάθος συνδεσμολογία θα προκαλέσει δυσλειτουργία του κλιματιστικού. Εγκαταστήστε κατάλληλο καλώδιο παροχής ρεύματος πριν την χρήση του κλιματιστικού.
- Συνδέστε σωστά τα καλώδια φάσης, ουδετέρου και γείωσης.
- Βεβαιωθείτε πως έχετε διακόψει την παροχή ρεύματος πριν προχωρήσετε σε οποιαδήποτε εργασία που έχει να κάνει με τα ηλεκτρικά μέρη του μηχανήματος.
- Μην ανοίγετε την ασφάλεια πριν ολοκληρώσετε την εγκατάσταση.
- Σε περίπτωση που το καλώδιο παροχής ρεύματος είναι κατεστραμμένο, πρέπει να επισκευαστεί μόνο από εξουσιοδοτημένο αδειούχο τεχνικό ώστε να αποφευχθεί πιθανός τραυματισμός.
- Η θερμοκρασία του ψυκτικού κυκλώματος θα είναι υψηλή. Παρακαλούμε κρατήστε το καλώδιο σύνδεσης μακριά από τον χαλκοσωλήνα.

Μέτρα Πρόληψης



ΠΡΟΣΟΧΗ

- Η συσκευή πρέπει να τοποθετηθεί σύμφωνα με τους εθνικούς κανονισμούς καλωδίωσης.
- Η εγκατάσταση πρέπει να πραγματοποιηθεί σύμφωνα με τις απαιτήσεις NEC και CEC από εξουσιοδοτημένο αδειούχο τεχνικό.
- Η γείωση του κλιματιστικού πρέπει να γίνει από εξειδικευμένο αδειούχο τεχνικό. Βεβαιωθείτε πως έχει γίνει σωστή γείωση του μηχανήματος σε διαφορετική περίπτωση μπορεί να προκληθεί ηλεκτροπληξία.
- Το κίτρινο-πράσινο καλώδιο του κλιματιστικού είναι το καλώδιο γείωσης και δεν μπορεί να χρησιμοποιηθεί για κάποιο άλλο σκοπό.
- Η αντίσταση της γείωσης θα πρέπει να είναι σύμφωνη με τους εθνικούς κανονισμούς ηλεκτρικών εγκαταστάσεων.
- Η συσκευή πρέπει να τοποθετηθεί σε μέρος όπου να υπάρχει πρόσβαση της πρίζας.
- Όλες οι συνδέσεις καλωδίων εσωτερικής και εξωτερικής μονάδας πρέπει να γίνουν από εξειδικευμένο αδειούχο τεχνικό.
- Εάν το μήκος του καλωδίου σύνδεσης δεν είναι επαρκές, επικοινωνήστε με την αντιπροσωπεία για ένα νέο. Μην προσπαθήσετε να επεκτείνετε το καλώδιο μόνοι σας.
- Η πρίζα μετά την εγκατάσταση θα πρέπει να είναι προσβάσιμη.
- Τα κλιματιστικά που δεν είναι συνδεδεμένα με πρίζα θα πρέπει να έχουν ασφαλειοδιακόπτη στην παροχή ρεύματος.

Μέτρα πρόληψης



ΠΡΟΣΟΧΗ

- Σε περίπτωση που χρειαστεί να μετακινήσετε το κλιματιστικό σε διαφορετική τοποθεσία, θα πρέπει η εργασία να γίνει μόνο από εξειδικευμένο αδειούχο τεχνικό. Σε διαφορετική περίπτωση μπορεί να προκληθεί τραυματισμός ή ζημιά.
- Επιλέξτε για την τοποθέτηση της μονάδας έναν χώρο όπου τα παιδιά δεν θα έχουν πρόσβαση καθώς επίσης ούτε ζώα ούτε φυτά. Σε περίπτωση που κάτι τέτοιο δεν είναι ευφικτό, παρακαλούμε προσθέστε έναν φράχτη για λόγους ασφαλείας.
- Η εσωτερική μονάδα πρέπει να τοποθετείται κοντά στον τοίχο.
- Παρακαλούμε σημειώστε πως αυτή η συσκευή περιέχει εύφλεκτο ψυκτικό υγρό R32. Μη σωστή χρήση της συσκευής ενέχει τον κίνδυνο σοβαρής ζημιάς τόσο για τον άνθρωπο όσο και υλικής. Λεπτομέρειες αναφορικά με αυτό το ψυκτικό υγρό θα βρείτε στο κεφάλαιο «ΨΥΚΤΙΚΟ ΥΓΡΟ».
- Ελέγξτε εάν ο χώρος συντήρησης ή ο χώρος του δωματίου πληρούν τις προδιαγραφές της ετικέτας χαρακτηριστικών της συσκευής. – Η λειτουργία της συσκευής επιτρέπεται μόνο σε δωμάτια όπου πληρούν τις προδιαγραφές της ετικέτας χαρακτηριστικών της συσκευής.
- Ελέγξτε εάν ο χώρος συντήρησης είναι καλά αεριζόμενος. – Συνεχής αερισμός του χώρου πρέπει να υπάρχει κατά την διάρκεια λειτουργίας της συσκευής.

Μέτρα πρόληψης

- Ελέγξτε εάν υπάρχει οποιαδήποτε πηγή φωτιάς ή πιθανή πηγή φωτιάς στο χώρο συντήρησης.
 - Απαγορεύεται αυστηρώς η φλόγα στο χώρο συντήρησης. Απαραίτητα στο χώρο συντηρησης σε ευκρινές σημείο, θα πρέπει να υπάρχει και η σήμανση «ΑΠΑΓΟΡΕΥΕΤΑΙ ΤΟ ΚΑΠΝΙΣΜΑ».
- Παρακαλούμε χρησιμοποιήστε τον ανιχνευτή εύφλεκτου αερίου για έλεγχο πριν την μετακίνηση της συσκευής.
- Ακολουθείτε τους εγχώριους κανόνες και νόμους.

κλιματιστικού παρέχονται από τον κατασκευαστή.

Εύρος Θερμοκρασίας κατά την λειτουργία

9K , 18K , 24K

	Θερμοκρασία Εσωτερικού Χώρου DB/WB(°C)	Θερμοκρασία Εξωτερικού Χώρου DB/WB(°C)
Μέγιστη Ψύξη	32/23	50/26
Μέγιστη Θέρμανση	27/-	30/18

Σημείωση:

Το εύρος θερμοκρασίας εξωτερικού χώρου) είναι -15°C~50°C.

12K

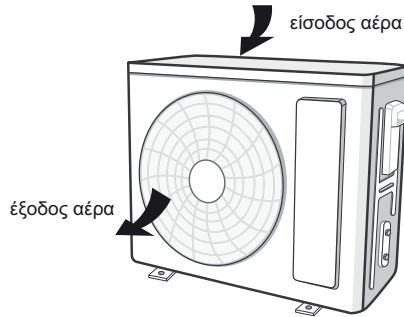
	Θερμοκρασία Εσωτερικού Χώρου DB/WB(°C)	Θερμοκρασία Εξωτερικού Χώρου DB/WB(°C)
Μέγιστη Ψύξη	32/23	43/26
Μέγιστη Θέρμανση	27/-	24/18

Σημείωση:

Το εύρος θερμοκρασίας (εξωτερικού χώρου) είναι -15°C ~ 43°C.

Ονομασίες Μερών

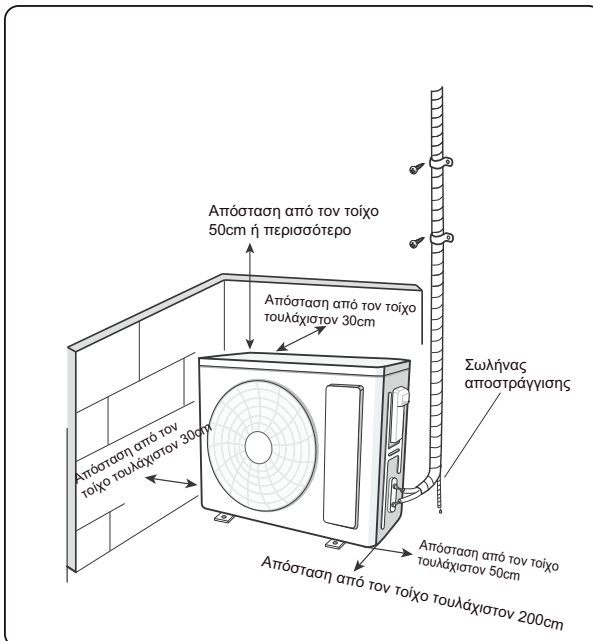
Εξωτερική Μονάδα



ΣΗΜΕΙΩΣΗ

- Το γραμμικό σχέδιο ενδέχεται να διαφέρει από το πραγματικό προϊόν. Παρακαλούμε όπως ανατρέξετε στο πραγματικό προϊόν.

ΔΙΑΓΡΑΜΜΑ ΔΙΑΣΤΑΣΕΩΝ ΕΓΚΑΤΑΣΤΑΣΗΣ



Υλικά που θα χρειαστείτε για την εγκατάσταση

Αλφάδι	Κατσαβίδι	Κρουστικό δράπανο
Κεφαλή τρυπανιού	Εκχυλωτή χαλκοσωλήνα	Δυναμόκλειδο
Κλειδί τύπου Άλεν	Κόφτη σωλήνων	Ανιχνευτή διαρροών
Αντλία κενού	Μετρητή πίεσης	Μέτρο
Εσωτερικό εξάγωνο κλειδί		Μετροταινία

- Σημείωση:**
- Παρακαλούμε καλέστε το εξουσιοδοτημένο σέρβις ή πιστοποιημένο τεχνικό για την εγκατάσταση του κλιματιστικού σας.
 - Μην χρησιμοποιείτε ακατάλληλο καλώδιο παροχής ρεύματος.

Επιλογή κατάλληλης τοποθεσίας για την τοποθέτηση του κλιματιστικού

Βασικές προϋποθέσεις

Η εγκατάσταση του κλιματιστικού στα κάτωθι μέρη μπορεί να προκαλέσει δυσλειτουργίες. Σε περίπτωση που δεν υπάρχει άλλη εναλλακτική παρακαλούμε συμβουλευτείτε το σημείο πώλησης ή την αντιπροσωπεία.

1. Μέρη με δυνατές εστίες θερμότητας, ατμού, εύφλεκτων αερίων κλπ
2. Μέρη με υψηλής συχνότητας ηλεκτρομαγνητικών κυμάτων όπως ραδιόφωνα, ιατρικά μηχανήματα κλπ.
3. Παράκτιες περιοχές
4. Μέρη όπου υπάρχουν λάδια ή βιομηχανικά αέρια
5. Μέρη όπου υπάρχει θειικό αέριο
6. Άλλα μέρη όπου επικρατούν ιδιαίτερες συνθήκες
7. Η συσκευή δεν πρέπει να εγκαθίσταται στο μπάνιο

Εξωτερική μονάδα

1. Επιλέξτε ένα σημείο όπου ο θόρυβος και ο αέρας που βγαίνει από τη μονάδα δεν θα ενοχλεί τους γείτονες.
2. Επιλέξτε ένα σημείο όπου υπάρχει επαρκής κυκλοφορία του αέρα, είναι στεγνό και δεν εκτίθεται στην άμεση ακτινοβολία του ηλίου ή σε δυνατούς ανέμους.
3. Επιλέξτε ένα σημείο όπου θα επαρκεί για να στηριχθεί το βάρος της μονάδας.
4. Βεβαιωθείτε ότι η μονάδα θα εγκατασταθεί βάσει των οδηγιών του σχεδιαγράμματος διαστάσεων εγκατάστασης.
5. Επιλέξτε ένα σημείο που δεν έχουν πρόσβαση παιδιά, ζώα ή φυτά. Εάν αυτό δεν είναι εφικτό, παρακαλούμε τοποθετήστε ένα φράχτη προστασίας για λόγους ασφαλείας.

Οδηγίες ασφαλείας

1. Πρέπει να ακολουθείτε τους τοπικούς κανονισμούς κατά την εγκατάσταση.
2. Σύμφωνα με τους τοπικούς κανονισμούς, χρησιμοποιήστε κατάλληλο κύκλωμα παροχής ρεύματος και ασφαλειοδιακόπτη.
3. Βεβαιωθείτε πως η παροχή ρεύματος ταιριάζει στις απαιτήσεις του κλιματιστικού.
4. Συνδέστε σωστά το καλώδιο της φάσης, του ουδετέρου και το καλώδιο γείωσης στην πρίζα.
5. Βεβαιωθείτε πως έχετε διακόψει την παροχή ρεύματος πριν προχωρήσετε σε οποιαδήποτε εργασία έχει να κάνει με το ρεύμα και την ασφάλεια.
6. Μην επαναφέρετε την παροχή ρεύματος πριν τελειώσετε την εγκατάσταση.
7. Σε περίπτωση που το καλώδιο παροχής ρεύματος είναι κατεστραμμένο, πρέπει να αντικατασταθεί μόνο από εξειδικευμένο αδειούχο τεχνικό ώστε να αποφευχθεί πιθανός τραυματισμός.
8. Η θερμοκρασία του ψυκτικού κυκλώματος θα είναι υψηλή. Κρατήστε καλώδιο επικοινωνίας μακριά από τις ψυκτικές σωλήνες χαλκού.
9. Η συσκευή πρέπει να εγκατασταθεί με βάσει τους Διεθνείς κανονισμούς καλωδιώσεων.
10. Η συσκευή πρέπει να εγκατασταθεί, λειτουργήσει και τοποθετηθεί σε χώρο μεγαλύτερο από 4m².



Παρακαλούμε σημειώστε πως αυτή η συσκευή περιέχει εύφλεκτο ψυκτικό υγρό R32. Μη σωστή χρήση της συσκευής ενέχει τον κίνδυνο σοβαρής ζημιάς τόσο για τον άνθρωπο όσο και υλικής. Λεπτομέρειες αναφορικά με αυτό το ψυκτικό υγρό θα βρείτε στο κεφάλαιο «ΨΥΚΤΙΚΟ ΥΓΡΟ».

Απαιτήσεις Γείωσης

1. Το κλιματιστικό σας είναι ηλεκτρική συσκευή κλάσης (I). Πρέπει να υπάρχει κατάλληλη γείωση, με ειδική συσκευή γείωσης από εξειδικευμένο αδειούχο τεχνικό. Βεβαιωθείτε πως η γείωση είναι πάντα αποτελεσματική. Σε διαφορετική περίπτωση μπορεί να προκληθεί ηλεκτροπληξία.
2. Το καλώδιο της γείωσης στο κλιματιστικό είναι κίτρινο-πράσινο και δεν μπορεί να χρησιμοποιηθεί για άλλο σκοπό.
3. Η αντίσταση γείωσης πρέπει να είναι σύμφωνη με του εθνικούς κανονισμούς ασφαλείας ηλεκτρικών εγκαταστάσεων.
4. Η συσκευή πρέπει να τοποθετηθεί σε μέρος όπου η πρίζα να είναι προσβάσιμη.
5. Ένας διακόπτης αποκοπής πρέπει να εγκατασταθεί με 3 χιλιοστά άνοιγμα επαφής σε όλους τους πόλους.

Ηλεκτρική Ασφάλεια

Για την επιλογή της κατάλληλης ηλεκτρικής ασφάλειας του κυκλώματος, παρακαλούμε συμβουλευτείτε τον παρακάτω πίνακα. Θα πρέπει να διαθέτει ρελέ διαφυγής/προστασίας για να προστατεύει από βραχυκύκλωμα και υπερθέρμανση του κυκλώματος.

Κλιματιστικό	Ηλεκτρική ασφάλεια
09K	10A
12K	10A
18K	16A
24K	25A

Διαμόρφωση των ψυκτικών σωληνώσεων

1. Σταθερό μήκος ψυκτικών σωληνώσεων: 5 μέτρα, 7,5 μέτρα, 8 μέτρα.
2. Ελάχιστο μήκος ψυκτικών σωληνώσεων: Για τη μονάδα με ψυκτικό σωλήνα σύνδεσης 5 μέτρα, δεν υπάρχει περιορισμός για το ελάχιστο μήκος του σωλήνα σύνδεσης. Για τη μονάδα με ψυκτικό σωλήνα σύνδεσης 7,5 μέτρα και 8 μέτρα, το ελάχιστο μήκος του σωλήνα σύνδεσης είναι 3 μέτρα.
3. Μέγιστο μήκος και υψομετρική διαφορά των ψυκτικών σωληνώσεων.

Μέγιστο μήκος των ψυκτικών σωληνώσεων

Απόδοση Ψύξης	Μέγιστο μήκος των ψυκτικών σωληνώσεων (m)
5000Btu/h (1465W)	15
7000Btu/h (2051W)	15
9000Btu/h (2637W)	15
12000Btu/h (3516W)	20
18000Btu/h (5274W)	25
24000Btu/h (7032W)	25
28000Btu/h (8204W)	30
36000Btu/h (10548W)	30
42000Btu/h (12306W)	30
48000Btu/h (14064W)	30

4. Απαιτούμενο ψυκτικό υγρό και ψυκτικό λάδι έπειτα από την ολοκλήρωση της εγκατάστασης.

Όσον αφορά στο ψυκτικό λάδι, επαρκεί για 10 μέτρα μήκος ψυκτικών σωληνώσεων. Θα πρέπει να προσθέτετε 5ml ψυκτικού λαδιού για κάθε 5 μέτρα επιπλέον σωληνώσεων.

1. Η μέθοδος υπολογισμού συμπλήρωσης ψυκτικού υγρού είναι βασισμένη στο μήκος του σωλήνα υγρού, όπως φαίνεται παρακάτω: Ποσότητα συμπλήρωσης ψυκτικού υγρού = έξτρα μέτρα σωληνώσεων x ποσότητα ψυκτικού υγρού ανά μέτρο.
2. Στον παρακάτω πίνακα δίνεται η απαιτούμενη ποσότητα συμπλήρωσης ψυκτικού υγρού σύμφωνα με τη γραμμή υγρού του κάθε μηχανήματος και είναι διαφορετική για διαφορετικές διατομές της γραμμής υγρού. Δείτε στον παρακάτω πίνακα:

Πίνακας συμπλήρωσης ψυκτικού υγρού

Διάμετρος Ψυκτικών σωληνώσεων (χιλιοστά)		Τύπος εσωτερικής μονάδας	Τύπος εξωτερικής μονάδας	
Γραμμή υγρού (χιλιοστά)	Γραμμή αερίου (χιλιοστά)	Μόνο ψύξη, Ψύξη και Θέρμανση (g / m)	Μόνο ψύξη (g / m)	Ψύξη και Θέρμανση (g / m)
1/4"	3/8" ή 1/2"	16	12	16
1/4" or 3/8"	5/8" ή 3/4"	40	12	40
1/2"	3/4" ή 7/8"	80	24	96
5/8"	1" ή 1 1/4"	136	48	96
3/4"	–	200	200	200
7/8"	–	280	280	280

ΣΗΜΕΙΩΣΗ:

Η επιπλέον πλήρωση ψυκτικού υγρού του ανωτέρω πίνακα είναι προτεινόμενη.

Ασφαλής Λειτουργία του εύφλεκτου ψυκτικού μέσου

Απαιτήσεις Πιστοποίησης για τον εγκαταστάτη ή τον τεχνικό που θα διεξάγει την συντήρηση της συσκευής:

- Όλες οι εργασίες που έχουν να κάνουν με το ψυκτικό σύστημα θα πρέπει να διεξάγονται από τεχνικό που διαθέτει έγκυρη πιστοποίηση, η οποία θα έχει χορηγηθεί από επίσημο φορέα. Σε περίπτωση που χρειαστούν περισσότεροι από ένας για την εγκατάσταση, επισκευή ή συντήρηση της συσκευής, θα πρέπει να επιτηρούνται από τεχνικό που φέρει την πιστοποίηση για διαχείριση εύφλεκτων ψυκτικών υγρών.
- Η επισκευή της συσκευής μπορεί να γίνει μόνο κατά τον τρόπο που υποδεικνύεται από τον κατασκευαστή.

Χρήσιμες Συμβουλές Εγκατάστασης

- Το κλιματιστικό πρέπει να τοποθετείται σε χώρο μεγαλύτερο από τις ελάχιστες διαστάσεις του κάτωθι πίνακα.
- Απαγορεύεται η διάνοιξη τρυπών. Μην πλησιάζετε φλόγα στους σωλήνες σύνδεσης εσωτερικής και εξωτερικής μονάδας.
- Έλεγχος διαρροής ψυκτικού υγρού πρέπει να διεξάγεται απαραίτητα μετά την εγκατάσταση.

Πίνακας Α – Ελάχιστες διαστάσεις χώρου (m²)

Ποσότητα συμπλήρωσης (kg)	Τοποθέτηση στο πάτωμα	Τοποθέτηση στο παράθυρο	Τοποθέτηση στον τοίχο	Τοποθέτηση στο ταβάνι
≤1.2	/	/	/	/
1.3	14.5	5.2	1.6	1.1
1.4	16.8	6.1	1.9	1.3
1.5	19.3	7	2.1	1.4
1.6	22	7.9	2.4	1.6
1.7	24.8	8.9	2.8	1.8
1.8	27.8	10	3.1	2.1
1.9	31	11.2	3.4	2.3
2	34.3	12.4	3.8	2.6
2.1	37.8	13.6	4.2	2.8
2.2	41.5	15	4.6	3.1
2.3	45.4	16.3	5	3.4
2.4	49.4	17.8	5.5	3.7
2.5	53,6	19.3	6	4

Σημειώσεις για τη Συντήρηση

- Ελέγξτε εάν ο χώρος συντήρησης ή ο χώρος όπου είναι εγκατεστημένο το κλιματιστικό, πληροί τις απαιτήσεις βάσει των τεχνικών του προδιαγραφών.
 - Η λειτουργία του κλιματιστικού στον χώρο επιτρέπεται μόνο όταν ο χώρος πληροί τις απαιτήσεις των τεχνικών προδιαγραφών της συσκευής.
- Ελέγξτε εάν ο χώρος συντήρησης εξαιρίζεται σωστά.
 - Κατά τη λειτουργία συσκευής πρέπει να υπάρχει συνεχής αερισμός του χώρου.
- Ελέγξτε προσεκτικά πως δεν υπάρχει κάποια πηγή φωτιάς ή πιθανή πηγή ανάφλεξης κατά την διάρκεια λειτουργίας του κλιματιστικού στον χώρο συντήρησης/επισκευής.
 - Η χρήση φλόγας απαγορεύεται αυστηρώς στον χώρο συντήρησης/επισκευής και θα πρέπει να υπάρχει σε ορατό σημείο η σήμανση «ΑΠΟΓΟΡΕΥΕΤΑΙ ΑΥΣΤΗΡΩΣ ΤΟ ΚΑΠΝΙΣΜΑ».
- Ελέγξτε εάν όλες οι σημάνσεις κινδύνου αναφέρονται ευκρινώς επάνω στη συσκευή.
 - Αντικαταστήστε εκείνες που δεν εμφανίζονται με ευκρίνεια.

Συγκόλληση

Εάν χρειαστεί να κόψετε ή να συγκολλήσετε τους σωλήνες ψυκτικού συστήματος κατά την διαδικασία συντήρησης, παρακαλούμε ακολουθείστε τα κάτωθι βήματα:

- α. Τερματίστε τη λειτουργία της συσκευής και διακόψτε την παροχή ρεύματος.
- β. Εκκενώστε το ψυκτικό υγρό.
- γ. Δείτε διαδικασία κενού των σωληνώσεων
- δ. Καθαρίστε με ψυκτικό υγρό N2 (Αζωτο).
- ε. Κόψτε ή συγκολλήστε.
- ζ. Μεταφέρετε στο σημείο ελέγχου/επισκευής για συγκόλληση
 - Το ψυκτικό υγρό πρέπει να ανακυκλωθεί μέσα στη συσκευή ανάκτησης.
 - Βεβαιωθείτε πως δεν υπάρχει ίχνος φλόγας κοντά στην έξοδο της αντλίας κενού και ότι ο χώρος εξαερίζεται επαρκώς.

Πλήρωση Ψυκτικού Υγρού

- Χρησιμοποιήστε εξειδικευμένες συσκευές πλήρωσης για το R32. Βεβαιωθείτε πως δεν θα υπάρξει ανάμειξη διαφορετικών ψυκτικών υγρών.
- Οι φιάλες με το ψυκτικό υγρό, θα πρέπει να βρίσκονται σε όρθια θέση κατά τη διαδικασία πλήρωσης.
- Κολλήστε την ετικέτα στο σύστημα μετά την πλήρωση.
- ΜΗΝ υπερπληρώνετε τη συσκευή με ψυκτικό υγρό πέραν της απαιτούμενης ποσότητας.
- Μετά το πέρας της πλήρωσης, παρακαλούμε κάντε έλεγχο διαρροής πριν τη λειτουργία του κλιματιστικού. Θα πρέπει να επαναλάβετε τη διαδικασία ελέγχου διαρροής, όποτε αφαιρείτε ψυκτικό υγρό από το κλιματιστικό.

Οδηγίες Ασφαλείας κατά την Μεταφορά και Αποθήκευση

- Παρακαλούμε χρησιμοποιήστε την συσκευή ελέγχου διαρροών πριν το ξεφόρτωμα και πριν το άνοιγμα της συσκευής.
- Απαγορεύεται το κάπνισμα ή οποιαδήποτε πηγή φωτιάς, καθώς μπορεί να προκαλέσει ανάφλεξη.
- Ακολουθείτε τους εθνικούς κανονισμούς και νομοθεσίες.

Εγκατάσταση εξωτερικής μονάδας

Πρώτο βήμα: Τοποθετήστε σωστά την βάση στήριξης της εξωτερικής μονάδας.

1. Επιλέξτε το σωστό μέρος για την τοποθέτηση της εξωτερικής μονάδας σύμφωνα με την κατασκευή του σπιτιού σας.
2. Τοποθετήστε σωστά την βάση στήριξης της εξωτερικής μονάδας στο σημείο που έχετε επιλέξει χρησιμοποιώντας με αντίστοιχες βίδες.

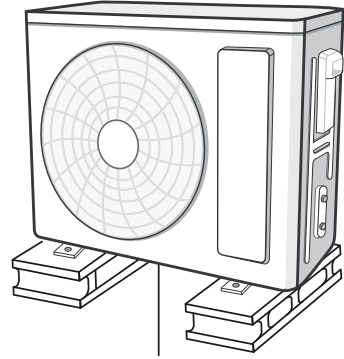
Σημείωση:

Πάρτε όλα τα απαραίτητα μέτρα προφύλαξης κατά την εγκατάσταση της εξωτερικής μονάδας.

Βεβαιωθείτε πως η βάση στήριξης μπορεί να αντέξει τουλάχιστον τέσσερις φορές το βάρος της εξωτερικής μονάδας.

Η εξωτερική μονάδα πρέπει να εγκατασταθεί τουλάχιστον 3 εκατοστά πάνω από το πάτωμα έτσι ώστε να είναι εφικτή η εγκατάσταση του σωλήνα αποχέτευσης.

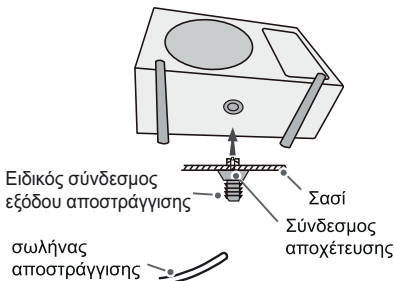
Για τα κλιματιστικά με απόδοση 2300W ~5000W, χρειάζονται έξι βίδες στερέωσης. Για τα κλιματιστικά με απόδοση 6000W ~8000W, χρειάζονται οκτώ βίδες στερέωσης. Για τα κλιματιστικά με απόδοση 10000W ~16000W, χρειάζονται δέκα βίδες στερέωσης.



τουλάχιστον 3 εκ πάνω από το έδαφος

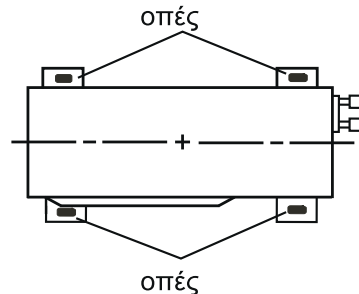
Δεύτερο βήμα: Εγκαταστήστε την σωλήνα αποχέτευσης των συμπυκνωμάτων.

1. Συνδέστε τον ειδικό πλαστικό σύνδεσμο της αποχέτευσης στο μεταλλικό πλαίσιο της βάσης όπως φαίνεται στην παρακάτω φωτογραφία.
2. Συνδέστε στον ειδικό σύνδεσμο με την σωλήνα της αποχέτευσης και φροντίστε η απορροή της να καταλήγει σε σιφόνι ή υδρορροή.



Τρίτο Βήμα: Στερέωση εξωτερικής μονάδας.

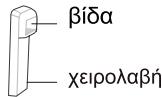
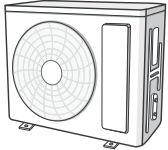
1. Τοποθετήστε την εξωτερική μονάδα στην βάση της.
2. Βιδώστε την στην βάση με αντίστοιχες βίδες και παξιμάδια.



Εγκατάσταση εξωτερικής μονάδας

Τέταρτο βήμα: Σύνδεση ψυκτικών σωληνώσεων

1. Αφαιρέστε την βίδα από το πλαινό πλαστικό κάλυμμα και στην συνέχεια αφαιρέστε το κάλυμμα.

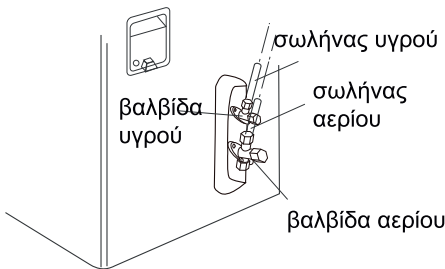


ΣΗΜΕΙΩΣΗ:

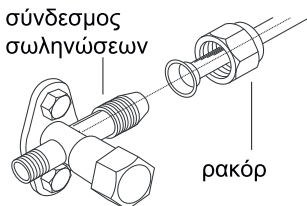
Όταν περνούν πολλαπλά καλώδια θα πρέπει να λειάνετε την οπή από τα αιχμηρά γρέζια προκειμένου να μην καταστραφούν τα καλώδια.



2. Αφαιρέστε το μεταλλικό καπάκι της κάθε βαλβίδας και στην συνέχεια ενώστε τις σωληνώσεις με το χείλος της κάθε βαλβίδας.



3. Συσφίξτε ελαφρώς το ρακόρ με το χέρι.

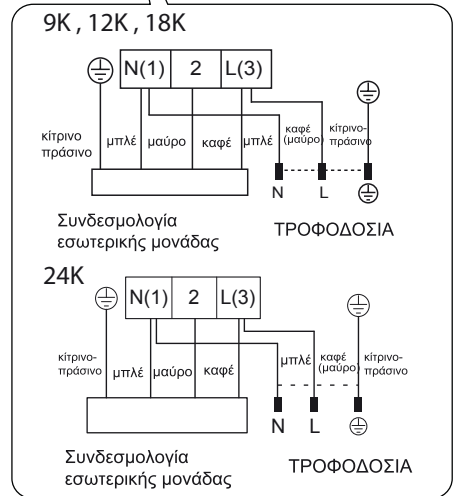
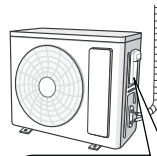


4. Συσφίξτε το ρακόρ με δυναμόκλειδο με την αντίστοιχη ροπή όπως δίνεται στον παρακάτω πίνακα.

Διάμετρος ρακόρ	Ροπή σύσφιξης (N·m)
Φ 6	15~20
Φ 9.52	30~40
Φ 12	45~55
Φ 16	60~65
Φ 19	70~75

Πέμπτο βήμα: Σύνδεση των καλωδίων παροχής ρεύματος και επικοινωνίας.

1. Αφαιρέστε το πλαστικό κάλυμμα των ηλεκτρολογικών συνδέσεων και συνδέστε το καλώδιο της παροχής ρεύματος και της επικοινωνίας στις αντίστοιχες θέσεις σύμφωνα με το χρώμα και την ονοματολογία.



Το διάγραμμα πλακέτας καλωδίωσης είναι μόνο για αναφορά. Παρακαλούμε ανατρέξτε στο πραγματικό.

Εγκατάσταση εξωτερικής μονάδας

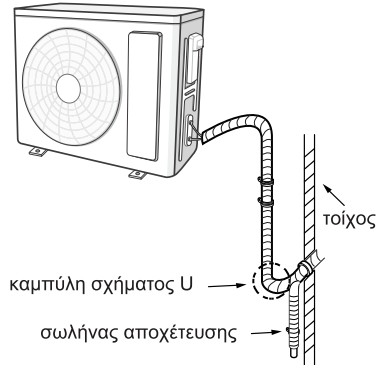
2. Συσφίξτε όλες τις βίδες στην κλέμμα των καλωδίων και τοποθετήστε στην συνέχεια το πλαστικό κάλυμμα.

Σημειώσεις:

- Αφότου βιδώσετε τις βίδες, τραβήξτε με δύναμη τα καλώδια για να σιγουρευτείτε ότι συγκρατούνται σωστά στην κλέμμα.
- Σε καμία περίπτωση μην κόβετε και «ματίζετε» το καλώδιο της παροχής του ρεύματος.

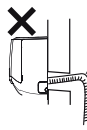
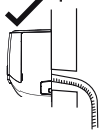
Έκτο βήμα: Οδευση σωληνώσεων

1. Οι σωληνώσεις θα πρέπει να οδεύουν κατά μήκος του τοίχου, χωρίς μεγάλες καμπύλες και εάν είναι εφικτό να καλύπτονται. Η μικρότερη ακτίνα στην καμπύλη θα πρέπει να είναι 10cm.
2. Σε περίπτωση που η εξωτερική μονάδα τοποθετείται σε ψηλότερο σημείο από την εσωτερική, θα πρέπει στις σωληνώσεις να κάνετε μία καμπύλη τύπου U, πριν από την εισοδό τους στην οπή του τοίχου ούτως ώστε να αποτρέπεται η περίπτωση εισροής νερού από την βροχή.



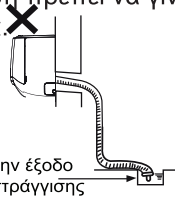
Σημείωση:

Δώστε καθοδική ρύση στο σωλήνα αποχέτευσης. Ο σωλήνας δεν πρέπει να είναι κυρτός, να ανεβαίνει προς τα πάνω ή να ταλαντεύεται κλπ.



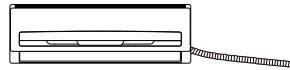
Ο σωλήνας αποστράγγισης δεν πρέπει να ανεβαίνει προς τα πάνω

Μην τοποθετείτε την έξοδο του σωλήνα αποστράγγισης σε νερό, καθώς η αποστράγγιση πρέπει να γίνεται απρόσκοπτα.

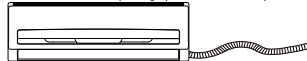


Μην τοποθετείτε την έξοδο του σωλήνα αποστράγγισης σε νερό

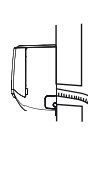
Η αποχέτευση των συμπυκνωμάτων της εσωτερικής μονάδας πρέπει να οδηγείται με ρύση προς τον εξωτερικό χώρο



Ο σωλήνας αποστράγγισης δεν πρέπει να είναι κυρτός (να κάνει καμπύλες)



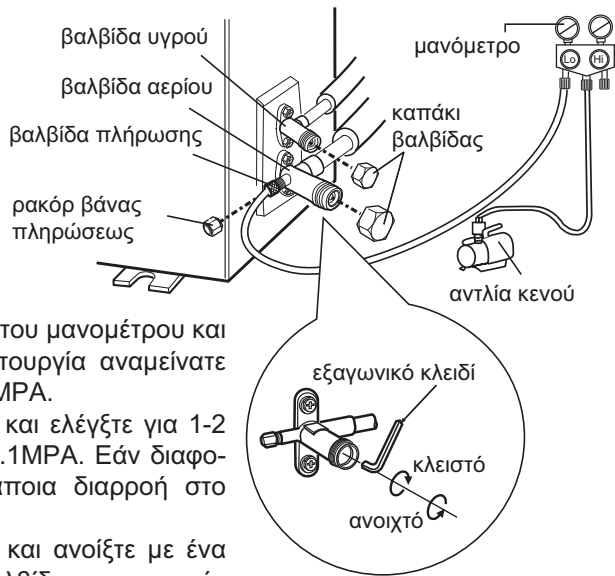
Ο σωλήνας αποστράγγισης δεν πρέπει να ταλαντεύεται



Η έξοδος του σωλήνα αποστράγγισης δεν πρέπει να ταλαντεύεται

Διαδικασία κενού των σωληνώσεων

1. Αφαιρέστε τα καλύμματα των βαλβίδων της γραμμής υγρού και της γραμμής αερίου και το καπάκι από την βαλβίδα πλήρωσης.
2. Συνδέστε τον σωλήνα των μανομέτρων στην βαλβίδα πλήρωσης της γραμμής αερίου και την άλλη σωλήνα των μανομέτρων στην αντλία κενού.
3. Ανοίξτε πλήρως την βάνα του μανομέτρου και με την αντλία κενού σε λειτουργία αναμείνατε έως ότου η πίεση δείξει -0.1MPa .
4. Κλείστε την αντλία κενού και ελέγξτε για 1-2 λεπτά η πίεση παραμένει -0.1MPa . Εάν διαφοροποιείται τότε υπάρχει κάποια διαρροή στο κύκλωμα.
5. Αφαιρέστε τα μανόμετρα και ανοίξτε με ένα κλειδί τύπου «ΑΛΛΕΝ» τις βαλβίδες της γραμμής υγρού και αερίου.
6. Τοποθετήστε ξανά τα καπάκια στις 2 βαλβίδες.
7. Τοποθετήστε το πλαστικό κάλυμμα των βαλβίδων.



Έλεγχος διαρροών

1. Με ανιχνευτή διαρροών.
Ελέγξτε προσεκτικά εάν υπάρχει διαρροή σε κάποιο σημείο των σωληνώσεων και των συνδέσεων τους.
2. Με σαπουνόνερο.
Σε περίπτωση που δεν διαθέτεται ανιχνευτή διαρροών, τοποθετήστε σαπουνόνερο στα σημεία που θέλετε να ελέγξετε για τυχόν διαρροή και αφήστε το για μερικά λεπτά. Εάν σχηματιστούν φυσαλίδες με αέρα τότε υπάρχει διαρροή στο συγκεκριμένο σημείο.

Έλεγχος μετά την εγκατάσταση

• Ελέγξτε τα κάτωθι μετά την εγκατάσταση

Σημεία προς έλεγχο	Πιθανή βλάβη
Έχει εγκατασταθεί η μονάδα σταθερά;	Η μονάδα μπορεί να πέσει, να ταρακουνηθεί ή να είναι θορυβώδης
Έχει γίνει ο έλεγχος διαρροής ψυκτικού υγρού;	Μπορεί να προκληθεί ανεπαρκής απόδοση ψύξης ή θέρμανσης
Είναι επαρκής η θερμομόνωση των ψυκτικών σωληνώσεων και της αποχεύευσης;	Μπορεί να προκληθούν συμπυκνώματα και στάξιμο νερού
Απορρέει σωστά το νερό των συμπυκνωμάτων από την εσωτερική μονάδα;	Μπορεί να προκληθούν συμπυκνώματα και στάξιμο νερού
Η τάση παροχής ρεύματος του σπιτιού σας είναι σύμφωνη με αυτή που αναφέρεται στο ταμπλάκι χαρακτηριστικών της συσκευής;	Σε διαφορετική περίπτωση μπορεί να προκληθεί δυσλειτουργία ή καταστροφή κάποιων μερών της συσκευής
Το ηλεκτρικό καλώδιο της παροχής ρεύματος και οι ψυκτικές σωληνώσεις έχουν εγκατασταθεί σωστά;	Σε διαφορετική περίπτωση μπορεί να προκληθεί δυσλειτουργία ή καταστροφή κάποιων μερών της συσκευής
Έχει γειωθεί με ασφάλεια η μονάδα;	Σε διαφορετική περίπτωση μπορεί να προκληθεί ηλεκτρική διαρροή
Το καλώδιο παροχής ρεύματος πληροί τις προδιαγραφές;	Σε διαφορετική περίπτωση μπορεί να προκληθεί δυσλειτουργία ή καταστροφή κάποιων μερών της συσκευής
Υπάρχει κάποιο εμπόδιο στις εισόδους ή εξόδους του αέρα;	Μπορεί να προκαλέσει ανεπαρκή απόδοση ψύξης ή θέρμανσης
Έχει αφαιρεθεί η σκόνη και τυχόν άλλα σωματίδια που δημιουργήθηκαν κατά την εγκατάσταση;	Σε διαφορετική περίπτωση μπορεί να προκληθεί δυσλειτουργία ή καταστροφή κάποιων μερών της συσκευής
Οι βάνες αερίου και υγρού της εξωτερικής μονάδας είναι εντελώς ανοικτές;	Μπορεί να προκαλέσει ανεπαρκή απόδοση ψύξης ή θέρμανσης
Είναι καλυμμένες η είσοδος και η έξοδος στις συνδέσεις των σωληνώσεων;	Σε αυτή την περίπτωση μπορεί να μην έχει σωστή απόδοση Ψύξης/Θέρμανσης το κλιματιστικό ή να καταναλώνεται περισσότερο ρεύμα.

Έλεγχος λειτουργίας

1. Προετοιμασία ελέγχου λειτουργίας

- Υποδείξτε τις σημαντικές σημειώσεις που αφορούν στο κλιματιστικό στον

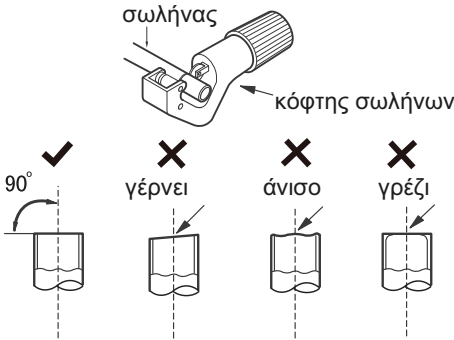
Μέθοδος εκχέιλωσης των σωληνώσεων

Σημείωση:

Η λανθασμένη εκχέιλωση των σωληνώσεων, είναι ο πιο πιθανός παράγοντας που μπορεί να εμφανιστεί διαρροή ψυκτικού μέσου. Παρακαλούμε ακολουθείστε τα παρακάτω βήματα εάν θέλετε να επεκτείνετε τις σωληνώσεις:

A. Κόψτε τον σωλήνα

- Μετρήστε την απόσταση εσωτερικής και εξωτερικής μονάδας και στη συνέχεια επιλέξτε το μήκος σωλήνα που χρειάζεστε.
- Κόψτε το απαιτούμενο μήκος σωλήνα με τον κόφτη σωλήνων.



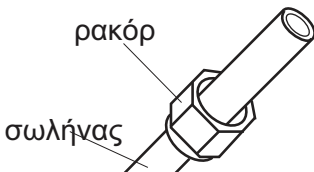
B. Αφαιρέστε τα γρέζια

- Αφαιρέστε τα γρέζια από την επιφάνεια της κοπής και δώστε ιδιαίτερη προσοχή στο να μην μπουουν εσωτερικά στον σωλήνα.

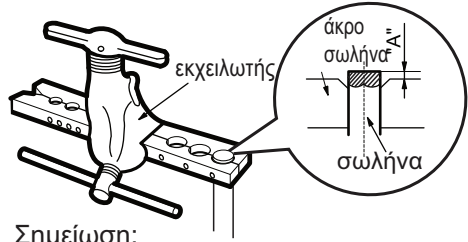


Γ. Τοποθετήστε εξωτερικά την κατάλληλη μόνωση

- Δ. Αφαιρέστε το ρακόρ από την σωλήνα της εσωτερικής μονάδας και την βάνα της εξωτερικής τοποθετήστε το αντιστοίχως στον σωλήνα.



E. Εκχέιλωση των ακρών



Σημείωση:

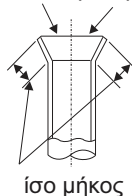
Η απόσταση «Α» είναι διαφορετική και εξαρτάται από την διάμετρο του σωλήνα. Παρακαλούμε συμβουλευτείτε τον κάτωθι πίνακα:

εξωτερική διάμετρος (mm)	Α(mm)	
	Μέγιστο	Ελάχιστο
Φ6 - 6.35(1/4")	1.3	0.7
Φ9.52(3/8")	1.6	1.0
Φ12-12.7(1/2")	1.8	1.0
Φ15.8-16(5/8")	2.4	2.2

ΣΤ. Έλεγχος

- Ελέγξτε την ποιότητα της εκχέιλωσης. Εάν παρατηρήσετε οποιαδήποτε ανωμαλία στην επιφάνεια ή ασυμμετρία, επαναλάβετε την εκχέιλωση ακολουθώντας τα ίδια βήματα.

επίπεδη επιφάνεια



ακατάλληλη εκχέιλωση



Οδηγίες Ασφαλείας για την εγκατάσταση και απεγκατάσταση της μονάδας

1. Όταν πραγματοποιείται εγκατάσταση ή μετακίνηση της κλιματιστικής μονάδας, βεβαιωθείτε ότι έχετε κρατήσει το κύκλωμα ψυκτικού μέσου χωρίς αέρα ή ουσίες διαφορετικές από το καθορισμένο ψυκτικό μέσο. Οποιαδήποτε παρουσία αέρα ή άλλης ξένης ουσίας στο ψυκτικό κύκλωμα θα προκαλέσει αύξηση της πίεσης του συστήματος ή βλάβη στο συμπιεστή, με αποτέλεσμα τραυματισμό.

2. Όταν πραγματοποιείται εγκατάσταση ή επανατοποθέτηση της κλιματιστικής μονάδας, δεν επιτρέπεται η πλήρωση του ψυκτικού κυκλώματος με ψυκτικό μέσο διαφορετικό από αυτό που αναγράφεται στην ετικέτα χαρακτηριστικών της συσκευής.

Σε διαφορετική περίπτωση μπορεί να προκληθεί δυσλειτουργία, μηχανική βλάβη ή ακόμα και σοβαρό ατύχημα.

3. Όταν κατά τη διάρκεια της επανατοποθέτησης ή της επισκευής της κλιματιστικής μονάδας, χρειάζεται να ανακτηθεί το ψυκτικό μέσο, βεβαιωθείτε ότι η μονάδα λειτουργεί σε κατάσταση ψύξης. Στη συνέχεια, κλείστε πλήρως τη βαλβίδα στην πλευρά υψηλής πίεσης (βαλβίδα υγρού). Περίπου 30-40 δευτερόλεπτα αργότερα, κλείστε πλήρως τη βαλβίδα στην πλευρά χαμηλής πίεσης (βαλβίδα αερίου), σταματήστε αμέσως την λειτουργία της συσκευής και αποσυνδέστε την από την παροχή ρεύματος.

Μην ξεχνάτε ότι ο χρόνος ανάκτησης του ψυκτικού μέσου δεν πρέπει να υπερβαίνει το ένα (1) λεπτό. Σε περίπτωση που η ανάκτησης του ψυκτικού μέσου διαρκέσει για μεγαλύτερο διάστημα, μπορεί να εισαχθεί αέρας στο εσωτερικό του κυκλώματος και να προκαλέσει αύξηση πίεσης ή βλάβη στον συμπιεστή με αποτέλεσμα τον τραυματισμό.

4. Κατά την ανάκτηση του ψυκτικού μέσου, βεβαιωθείτε ότι η βαλβίδες υγρού και αερίου είναι πλήρως κλειστές και αποσυνδέστε την παροχή ρεύματος πριν αποσυνδέσετε το σωλήνα σύνδεσης. Σε περίπτωση που ο συμπιεστής ξεκινήσει να δουλεύει ενώ η βαλβίδα αναρρόφησης είναι ανοιχτή και ο σωλήνας σύνδεσης δεν έχει ακόμα συνδεθεί, θα εισαχθεί αέρας στο εσωτερικό του κυκλώματος και θα προκληθεί αύξηση πίεσης ή βλάβη στον συμπιεστή με αποτέλεσμα τον τραυματισμό.

5. Όταν γίνεται εγκατάσταση της μονάδας, βεβαιωθείτε πως οι σωληνώσεις σύνδεσης είναι συνδεδεμένες σωστά, πριν ξεκινήσει την λειτουργία του ο συμπιεστής. Σε περίπτωση που ο συμπιεστής ξεκινήσει να λειτουργεί ενώ η βαλβίδα αναρρόφησης είναι ανοιχτή και οι σωληνώσεις σύνδεσης δεν έχουν ακόμα συνδεθεί, θα εισαχθεί αέρας στο εσωτερικό του κυκλώματος και θα προκληθεί αύξηση πίεσης ή ρωγμή στον συμπιεστή με αποτέλεσμα τον τραυματισμό.

6. Απαγορεύεται η εγκατάσταση της μονάδας σε χώρο όπου μπορεί να υπάρχει διαρροή διαβρωτικών αερίων ή εύφλεκτων αερίων. Σε περίπτωση που υπάρχει διαρροή αερίων γύρω ή κοντά στη μονάδα, μπορεί να προκληθεί έκρηξη και άλλα ατυχήματα.

7. Μην χρησιμοποιείτε καλώδια επέκτασης για τις ηλεκτρικές συνδέσεις. Σε περίπτωση που τα καλώδια παροχής ρεύματος και εντολών δεν είναι αρκετά μακριά, παρακαλούμε αντικαταστήστε τα με άλλα καλώδια που έχουν το απαραίτητο μήκος. Λάθος ή κακή σύνδεση μπορεί να οδηγήσει σε ηλεκτροπληξία ή πυρκαγιά.

8. Χρησιμοποιείτε πάντα τους κατάλληλους τύπους καλωδίων βάσει των προδιαγραφών του κατασκευαστή για τις ηλεκτρικές συνδέσεις μεταξύ της εσωτερικής και εξωτερικής μονάδας. Σφίξτε σταθερά τα καλώδια στις κλέμες έτσι ώστε οι ακροδέκτες τους να μην δέχονται εξωτερικές πιέσεις/τάσεις. Ηλεκτρικά καλώδια με ανεπαρκή αντοχή (σε ένταση Ampere), λάθος συνδέσεις καλωδιώσεων και μη ασφαλείς ακροδέκτες μπορεί να προκαλέσουν ηλεκτροπληξία ή πυρκαγιά.

Δήλωση συμμόρφωσης CE

Ο Εισαγωγέας Γ.Ε.ΔΗΜΗΤΡΙΟΥ Α.Ε.Ε. δηλώνει πως αυτό το προϊόν πληροί τις γενικές απαιτήσεις των παρακάτω ευρωπαϊκών οδηγιών:

LVD: 2014/35/EU

EMC: 2014/30/EU

RoHS: (EU)2015/863

ERP: 2011/65/EU

RED: 2014/53/EU

WiFi: Μέγιστη Εκπεμπόμενη Ισχύς: 18dBm

Εύρος Συχνότητας Λειτουργίας: 2412MHz - 2472MHz

Ως εκ τούτου, το προϊόν έχει σήμανση με το σύμβολο **CE** και η

Δήλωση Συμμόρφωσης έχει χορηγηθεί στον κατασκευαστή και είναι στη διάθεση των αρμοδίων αρχών εποπτείας της αγοράς.

Certificate of compliance CE

TOYOTOMI CO., LTD declares that this product complies with the general requirements pursuant to the following European Directives:

LVD: 2014/35/EU

EMC: 2014/30/EU

RoHS: (EU)2015/863

ERP: 2011/65/EU

RED: 2014/53/EU

WiFi: Wireless maximum transmit power: 18dBm

Wireless frequency range: 2412MHz - 2472MHz

Therefore the product has been marked with the **CE** symbol and the

Declaration of Conformity has been issued and is available to the competent authorities regulating the market.

NOTES

NOTES

- Ⓒ Απαγορεύεται η ανατύπωση ή αναπαραγωγή ολόκληρου ή μέρους αυτού του εγχειριδίου με οποιοδήποτε τρόπο, χωρίς την έγγραφη άδεια της Γ.Ε.ΔΗΜΗΤΡΙΟΥ Α.Ε.Ε.
- Ⓒ It is prohibited to reproduce or reprint all or any part of this manual in any manner without the written permission of TOYOTOMI CO., Ltd.
- Ⓒ È vietato riprodurre o ristampare tutto o parte di questo manuale in qualsiasi modo senza il permesso scritto di TOYOTOMI ITALIA S.r.l.
- Ⓒ Queda prohibida la reproducció n o reimpressió n total o parcial de este manual de cualquier manera sin el permiso por escrito de TOYOTOMI EUROPE SALES SPAIN S.A.
- Ⓒ É proibida a reproduçã o ou reediçã o de todo ou de qualquer parte deste manual de qualquer forma, sem a permissã o por escrito da TOYOTOMI PORTUGAL Lda.

ΕΠΙΣΗΜΗ ΑΝΤΙΠΡΟΣΩΠΕΙΑ ΕΛΛΑΔΟΣ

Γ.Ε.ΔΗΜΗΤΡΙΟΥ Α.Ε.Ε.

ΚΑΝΑΚΙΔΗ & ΚΟΣΜΕΡΙΔΗ 1, Τ.Κ 17676 ΚΑΛΛΙΘΕΑ, ΕΛΛΑΔΑ

Τηλ.: +30 210 5386400

www.toyotomi.gr

SERVICE / ΑΝΤΑΛΛΑΚΤΙΚΑ

Γ.Ε.ΔΗΜΗΤΡΙΟΥ Α.Ε.Ε.

ΛΕΩΦ. ΚΗΦΙΣΟΥ 119, ΑΓ.Ι.ΡΕΝΤΗΣ, ΑΘΗΝΑ

Τηλ.: +30 210 5386490

OFFICIAL REPRESENTATIVE ITALY

TOYOTOMI ITALIA S.R.L.

VIA T. EDISON, 11

20875 BURAGO DI MOLGORA (MB)

Tel: +39 039 6080392

Fax: +39 039 6080316

www.toyotomi.it

OFFICIAL REPRESENTATIVE NETHERLANDS

TOYOTOMI EUROPE SALES B.V.

HUYGENSWEG 10, 5466 AN VEGHEL

Tel: +31 (0)413 82 02 95

www.toyotomi.eu

REPRESENTANTE OFICIAL ESPAÑA

TOYOTOMI EUROPE SALES SPAIN S.A.

CALLE TRIGO, 9 BAJO 2, 28914 LEGANÉS (MADRID)

Tel: +34 91 6895583

Fax: +34 91 6895584

www.toyotomi.es

REPRESENTANTE OFICIAL PORTUGAL

TOYOTOMI PORTUGAL LDA.

AV. MARECHAL CRAVEIRO LOPES N°8 B-3

1700-284 LISBOA, PORTUGAL

Tel. +351 96 7565400

comercial@toyotomi.eu

www.toyotomi.pt

Το προϊόν κατασκευάζεται στην Κίνα

This product is made in China

Questo prodotto è fabbricato in Cina

Este producto ha sido fabricado en China

Este produto é fabricado na China



04.2024v1